

# FC421CP-I Outdoor Weatherproof Resettable Callpoint

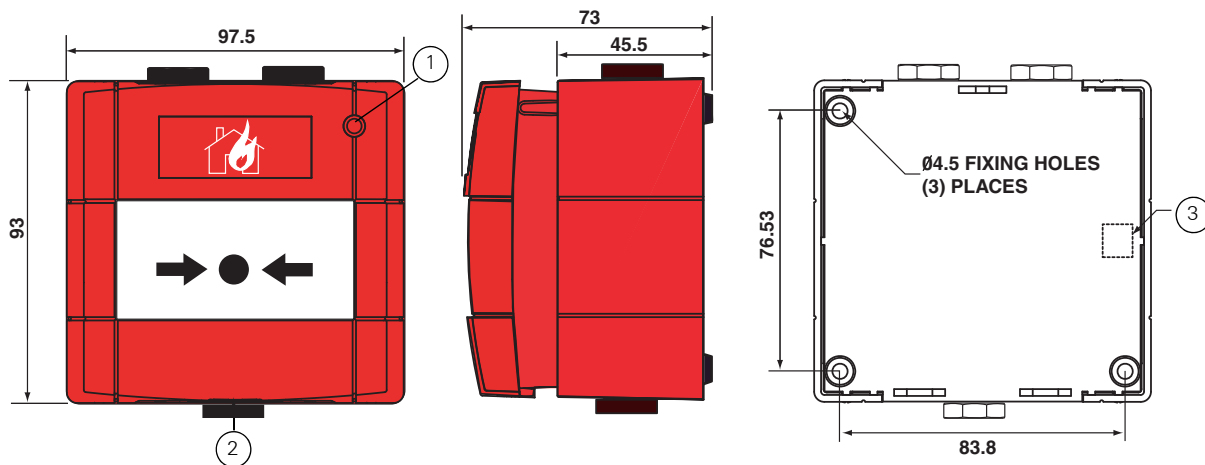




Fig. 1: FC421CP-I Weatherproof Outdoor Weatherproof Resettable Callpoint - Overall and Fixing Dimensions  
 1 – Short Circuit Isolator Activation (Yellow) and Alarm Indicator LED (Red)

-  Test/Release Key Access
-  Earth Continuity Terminal (Internal)

## Introduction

The FC421CP-I Weatherproof Addressable Resettable Callpoint is an outdoor manual callpoint.

The callpoint is designed to monitor and signal the condition of a switch contact that is operated by activating the resettable element.

Any change in the status of the switch is immediately communicated to the control panel.

The FC421CP-I is fitted onto a standard KAC weatherproof backbox, which is supplied with the callpoint.

The FC421CP-I has an integral short-circuit isolator for monitoring the field wiring.

The FC421CP-I callpoint meets the requirements of EN54 Pt. 11 and EN54 Pt. 17.

## Mechanical Construction

The housing consists of a combined test, reset and lid release mechanism, main assembly incorporating lid moulding and KAC weatherproof cover, plus weatherproof backbox. The lid release mechanism and lid moulding retain the resettable element. The lid moulding contains the switch assembly.

A dual colour status indicator LED is provided on the front cover. Cables may enter into the callpoint via cable gland entries at the top and bottom of the KAC weath-

erproof backbox. The KAC weatherproof backbox may only be surface mounted.

An addressable module is secured within the main assembly. The terminals are used for connection to the addressable circuit.

## Operation

The FC421CP-I consists of a switch contact which is operated by pushing on the centre of the resettable element. When the callpoint is addressed by the control panel, it signals the condition of this switch contact to the control panel. The LED on the front of the callpoint is normally OFF, until the resettable element activates, then it is turned ON until the resettable element is reset.

As the callpoint is resettable, it can be tested at any time with the aid of the callpoint test key provided. After operating the callpoint, the callpoint can be reset by inserting the key into the bottom of the housing, releasing the combined test, reset and lid release mechanism. Remove the key and slide the mechanism, together with the resettable element, back up until it locks into the non-activated position.

If a section of the loop wiring adjacent to the FC421CP-I is shorted, the built in short-circuit isolator trips, isolating the shorted section. The LED is illuminated in yellow to indicate that the isolator is tripped. This status remains until the short is removed.

## Technical Specification

Table 1 shows the technical specification information.

Parameter	Value
Material Housing and KAC Weatherproof Cover: KAC Weatherproof Backbox:	Flame Retardant ABS  Surface Mount Plastic Backbox
Environment	Outdoor applications
Operating Temperature	-25 to +70 °C
Storage Tempera- ture	-30 to +70 °C
Operating Humidity	Up to 95 % non-condensing
Dimensions (HWD)	93 x 97.5 x 73 mm
Weight	240 g
IP Rating	IP67
Approvals	<ul style="list-style-type: none"> <li>■ Product family standard EN50130-4 in respect of Conducted Disturbances, Radiated Immunity, Electrostatic Discharge, Fast Transients and Slow High Energy</li> <li>■ EN61000-6-3 for emissions</li> <li>■ Construction Product Directive (CPD) fulfilling the requirements of:                             <ul style="list-style-type: none"> <li>– EN 54-11:2001+A1:2006 for Manual Callpoints</li> <li>– EN 54-17:2005 for Short-Circuit Isolators</li> </ul> </li> </ul>

Table 1: Technical Specifications

## Terminals

Fig. 2 shows connection to the FC421CP-I made via the 4 way terminal connector as shown in table 2.

Description	Marking	Comment
Loop Interface	1	L+ IN
	2	L- Left
	3	L+ OUT
	4	L- Right

Table 2: Terminals

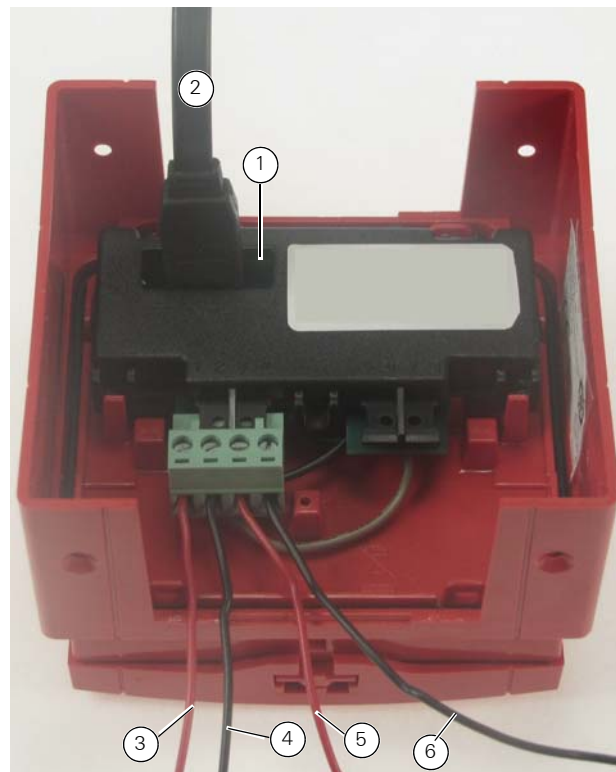


Fig. 2: FC421CP-I Rear View and Wiring Information


- 1– Ancillary Programming Port
- 2– Ancillary Programming Lead
- 3– Connected to Loop+IN
- 4– Connected to Loop-Left
- 5– Connected to Loop+Out
- 6– Connected to Loop-Right

## Ordering Information

Component	Ordering Numbers
FC421CP-I Outdoor CP with isolator	514.800.806

Table 3: Ordering Information

## CPR Information

 0832
Tyco Fire & Security GmbH, Victor von Bruns-Strasse 21, 8212 Neuhausen am Rheinfall, Switzerland 15 DoP-2015-4170
<p><b>EN 54-11 and EN 54-17</b>                      Manual callpoint with Short-Circuit Isolator for fire detection &amp; fire alarm systems for buildings                      Type A, Indoor                      FC421CP-I</p>
<p><b>Essential Characteristics</b>  <b>EN54-11</b>                      Nominal activation conditions / Sensitivity and Performance under fire conditions: Pass  <b>EN54-17</b>                      Performance under fire conditions: Pass  <b>EN54-11 and EN54-17</b>                      Operational reliability: Pass                      Durability of operational reliability temperature resistance: Pass                      Durability of operational reliability; vibration resistance: Pass                      Durability of operational reliability; humidity resistance: Pass                      Durability of operational reliability; corrosion resistance: Pass                      Durability of operational reliability; electrical stability: Pass</p>

