

ANTINTRUSION



ELKRON. THE HI-PROTECTION COMPANY

ELKRON



THE HI-PROTECTION COMPANY

Since 1974 Elkron has been committed to guarantee Security to any type of application, from small home systems to large installations. As a leading company in its sector and confirming its position with 14 Quality marks in many different countries, 21 International Patents registered, 1600 different products designed and developed, and 27 million products sold. Elkron has made a huge progress in research and innovation expressing new and unique solutions and gaining a steady international reputation in Security.

As a fundamental achievement for its constant commitment to total quality, Elkron has always complied with the strictest international standards, generating a permanent process to check that such professional standards are constantly maintained as well as to ensure a continuous improvement of the products, respecting all the operating phases, from the initial product concept, to design, manufacturing, sales and distribution, and finally to customer support.

Last but not the least, Elkron is a leading participator as coordinators and experts, in domestic (CEI) and European (CENELEC) standardisation projects.



www.elkron.com



THE ANTITHEFT ELKRON OFFER

WIRE ALARM SYSTEM

MP105



Control unit suitable to make small size system provided with 4 alarm. Programmable part set in 2 groups. Setting/unsetting through electronic keys, proximity reader, remote keypad, built-in electronic key module, mechanical key.

PAGE
14

MP106TG/V



Expandable (up to 28 zones) control panel with pc up/down loading. 4 zones in the control unit expandable up to 28 zones. Programmable part set in 3 groups+total. System locally programmable from a PC over USB connection or remotely programmable via modem. Remote Alarm transmission integrated.

PAGE
18

MP110



Expandable (up to 56 zones) control panel with pc up/down loading. 8 zones in the control unit expandable up to 56 zones. Programmable part set in 3 groups+total. System locally programmable from a PC over USB connection or remotely programmable via modem. Remote alarm transmission.

PAGE
24

MP120



Expandable (up to 56 zones) control panel with pc up/down loading. 8 zones in the control unit expandable up to 56 zones. Programmable part set in 8 groups+total. System locally programmable from a PC over USB connection or remotely programmable via modem. Remote alarm transmission.

PAGE
30

MP508



Expandable control panel with 8 zones expandable up to 56. Programmable part set in 8 groups+total. Setting/unsetting through electronic keys, proximity reader, remote keypad. The system allows integration of several devices for home security and automation, like audio/video controls, safety sensors, personal emergency care, etc.

PAGE
36

MP200



Expandable control panel with 8 zones expandable up to 256. Programmable part set in 12 groups+total. Setting/unsetting through electronic keys, partialisers, remote keypad. Alarm transmission over telephone line. System locally or remotely programmable via modem. Weekly-date time scheduler.

PAGE
44

WIRELESS SYSTEM

WL31



Wireless control unit with two-way communication (Reply Technology). It manages burglar, fire and system failure events separately. Up to 4 freely programmable partitions which can be associated to inputs and outputs. The exclusive, sophisticated protocol ensures maximum security of communication under all conditions.

PAGE
50

ER20WL



The ER20WL interface works with bus control units (MP110, MP120) acting as wire concentrators. The interface is powered by the bus, locally manages wire and radio peripherals and constantly exchanges respective status and alarm information with the control unit.

PAGE
60



THE ANTITHEFT ELKRON OFFER

VOLUMETRIC DETECTORS

INFRARED



IRA 12
Analogic
Extravision
Trifunctional
Lens
12/20 m



PAGE
67



IRA 13
Analogic
Interchange.
Fresnel
Lens.
12/20 m



PAGE
68



IRA 14
Digital
Extravision
Trifunctional
Lens
12/25 m



PAGE
69



IRA 15P
Digital
Fresnel
Lens
PET Immunity
12/25 m



PAGE
70



IR21LD
Mirror
60 m



PAGE
71



IR 015
Ceiling
Fresnel
Lens
Coverage
diameter
9 m



PAGE
71

DOUBLE TECHNOLOGY



IMA 12
Extravision
Trifunctional
Lens
Autoequalizer
12 m



PAGE
73



IMA 13
Interchange.
Fresnel
Lens.
Autoequalizer
15 m



PAGE
74



IMA 15AM
Interchange.
Fresnel
Lens
Antimasking
15/30 m



PAGE
75



IM915AM
Extravision
Trifunctional
Lens
Autoequalizer
Antimasking
15/25 m



PAGE
76



IM29CPU
Fresnel
Lens
Autoequalizer
13/25 m



PAGE
76

MICROWAVE



MW21PD
Adjustable
Antimasking
30 m



PAGE
76

VOLUMETRIC FOR OUTDOOR



IMA 20 EX
Triple
Technology
IR mirror
MW
double lobe
10 m

PAGE
77



IMA20EX/AM
Triple
Technology
Antimasking
10 m

PAGE
77

PERIMETER PROTECTION

PERIMETER PROTECTION



GDO3/GDO5
Glass
break
detector

PAGE
80



ESD30
Sismic
detector
for doors
and
windows

PAGE
80



MSO4
Vault detector for
break-in attempts
on reinforced con-
crete walls, safes,
armoured cabinets,
etc..

PAGE
81



MSO4PK
Same as MSO4
but with cover
patch device for
protection of safes

PAGE
81

MAGNETIC CONTACTS



**MAGNETIC
CONTACTS
FOR PIVOTING
DOORS**

PAGE
83



**ROLLER
SHUTTER
CONTACTS**

PAGE
83



**SURFACE
MAGNETIC
CONTACTS**

PAGE
84



**FLUSH
MAGNETIC
CONTACT**

PAGE
85

THE ANTITHEFT ELKRON OFFER

OUTDOOR PROTECTION

INFRARED BARRIERS



EL20
Indoor / outdoor barrier. 4 models with eights from 0,5 to 3m. Range up to 10m for indoor and up to 20 m for outdoor.

PAGE
88



EL10R/T
Outdoor barrier with disqualification circuit. Max range 100m.

PAGE
91



EL15R/T
Outdoor synchronized barrier with disqualification circuit. Max range 100m.

PAGE
90



EL50RT
Indoor / outdoor barrier. 3 models with range from 60 to 250 m (for indoor from 120 to 500m)

PAGE
93

MICROWAVE BARRIERS



MWA60R/T
Outdoor barrier with automatic compensation and disqualification circuit. Range 60m.

PAGE
96



MWA120R/T
Outdoor barrier with automatic compensation and disqualification circuit. Range 120m.

PAGE
96



MW30RT
Outdoor barrier 4 modulation channels. Range 180m.

PAGE
96

SOUNDERS

OUTDOOR SOUNDERS



700 SERIES
Range of self powered die cast aluminium sounders 103dB.

PAGE
100



HP 202
Polycarbonate self-powered sounders. 103dB

PAGE
102



HP202LX
Polycarbonate self-powered sounder with anti-approaching device 103dB

PAGE
103



HP602LG
Stainless steel microprocessor based sounder 102dB

PAGE
103

INDOOR SOUNDERS



HP12
Sounder in plastic box 110 dB.

PAGE
104



HP25
Sounder in plastic box 126 dB.

PAGE
104



HP305
Self powered sounder in metallic box 112dB

PAGE
104



HP301A
Self powered sounder in metallic box 111dB

PAGE
104

COMMUNICATORS

GSM COMMUNICATORS

PSTN COMMUNICATORS



CT10-M
Vocal synthesis GSM communicator

PAGE
106



CT11-M
Bi-standard GSM/PSTN Vocal synthesis communicator 12 numbers

PAGE
107



CT06
PSTN communicator 2 alarm inputs 12 numbers 2 remote commands

PAGE
108

ALPHABETIC INDEX

PRODUCT NAME CODICE PAGE

ANTENNA GSM 1	ANO300111	43
ANTENNA GSM 2	ANO400111	43
AS02/S	PS3400111	114
AS07/S	PS3500211	114
AS15	PS3200211	114
AS27	PS3300211	114
ATO1	ATO410143	113
BASE SP50/20	SP8710123	94
BASE SP50/30	SP8810163	94
CAVO X KP	CV3010111	42
CONTROPIASTRA	SP8510111	102
CP 4F	MP5900111	17
CP 8Z	MP7400111	17
CT06	CT4900211	108
CT10-M	CT4600111	106
CT11-M	CT4700111	107
DK20	DK1700111	34
DK2000M	DK2000111	34
DK2000M/B	DK2400111	34
DK21S	DK2300211	111
DK30	DK3500111	41
DK3000M	DK3000211	41
DK40	DK0100211	48
DK4000M	DK2100211	48
DK4000M/B	DK2500211	48
DK41S	DK0300211	105
DK50	DK5400211	41
DK500M-E	DK5000211	41
DK500M-E/B	DK5100211	41
DK500M-P	DK5200211	41
DK500M-P/B	DK5300211	41
DKA/A	KT2500111	112
DKA/EIK	KT6C00111	112
DKA/G	KT2400111	112
DKA/I	KT2200111	112
DKA/L	KT2300111	112
DKA/VI	KT7500111	112
DKAB/G	KT2800111	112
DKAB/A	KT2900111	112
DKAB/I	KT2600111	112
DKAB/L	KT2700111	112
DKAB/AXO	KT5C00111	112

PRODUCT NAME CODICE PAGE

DKAB/EIK	KT7C00111	112
DKAB/VP	KT7700111	112
DKA/AXO	KT4C00111	112
DKR4	DK0900211	111
DKZ4/4000M	DK2200211	111
DKZ4/4000M/B	DK2600211	111
EL10R/T	EL0800111	91
EL15/S	EL0360115	90
EL15R/T	EL0400111	90
EL20RT/10	EL1100211	89
EL20RT/15	EL1200211	89
EL20RT/20	EL1300211	89
EL20RT/05	EL1000211	89
EL50RT/2PH-150	EL1500113	93
EL50RT/2PH-60	EL1400113	93
EL50RT/4PH-250	EL1600113	93
EP 200/4Z	MP6700111	48
EP 200/8Z	MP6600211	48
EP100	MP7210111	35
EP508	MP7K00211	42
ER20WL R	WL1310113	62
ER20WL R/T	WL1210113	62
ES100	MP7310111	35
ESD30	WV0500113	80
FAST LINK	SW1300111	49
F031WL	SD4000121	59
GA 01	KT1500111	91
GABBIA	HP8910111	102
GDO3	GDO300113	70
GDO5PL	GDO400113	70
HI-CONNECT	SW2400111	57
HP12	HP2800113	104
HP202L	HP5000111	102
HP202LG	HP5100111	103
HP202LX	HP5200111	103
HP20WL	HP8000113	63
HP25	HP0200111	104
HP301A	HP0800311	104
HP305	HP5300211	104
HP305P	HP5300311	104
HP30WL	HP8100111	59
HP602LG	HP5700111	103

ALPHABETIC INDEX

PRODUCT NAME CODICE PAGE

HPA701	HP8400211	100
HPA702L	HP8500211	102
HPA702LG	HP8600211	101
HPA703XP	HP8700211	102
HPA730XP/H	HP9000211	102
ILO3R/T	ILO100111	82
ILT100	CT4210111	29
IM 29 CPU	IM1800111	76
IM915AM	IM2600111	76
IMA12	IM3000211	73
IMA13	IM3100211	74
IMA15AM	IM3200211	75
IMA20EX	IM3300113	77
IMA20EX/AM	IM3400113	77
IMG30	CT5110111	57
IMG500	CT5510111	42
INTERFACCIA ETHERNET	IT1200111	43
IRO15	IR4A00211	71
IR2OWL	IR2B00113	63
IR 21 LD	IR0600211	71
IR3OWL	IR3B00211	58
IRA12	IR4B00211	67
IRA13	IR6100211	68
IRA14	IR7B00211	69
IRA15P	IR6B00211	70
IRA31WL	IR5B00211	58
IRA31WL/P	IR8B00211	58
IT 485	MP9110211	49
IT USB	MP9H10111	35
IT USB/KEY	MP5K10111	42
IV 4Z	MP9610111	35
KIT 2 LENTI LR 1,2 G1 12V1	LT1410111	71
KIT 2 LENTI VB 1,2 G1V1	LT1310111	71
KIT 2xPH-60	KT9B10163	94
KIT AMP/MWA	KT1C10113	97
KIT COPERCHIO	ELO910111	91
KIT DK30-50	KT9410111	41
KIT FISSAGGIO	KT4800111	59
KIT MP110A+KP100	MP4A00111	28
KIT MP110A+KP100D	MP9A00111	28
KIT MP110TGA+KP100	MP3A00111	28
KIT MP110TGA+KP100D	MP6A00111	28

PRODUCT NAME CODICE PAGE

KIT MP508TG/FC	KT9900111	40
KIT MP508TG/FC/IMA	KT5800111	40
KIT MP508TG/FC/IRA	KT6A00111	40
KIT MP508TG/FC/IMA/L	KT7A00111	40
KIT MP508TG/FC/IRA/L	KT8A00111	40
KIT SOCCORSO	KT5700113	110
KIT PER SP11/15	KT1320161	92
KIT PER SP11/20	KT1420161	92
KIT PER SP11/25	KT1520161	92
KIT PER SP11/30	KT1620161	92
KIT SP50	KT8B10163	94
KIT TAMPER SPA10	KT7800111	71
KIT TAMPER	KT5000111	71
KP 200D/I	KP2700211	48
KP100	KP2100211	28
KP100D	KP2200211	28
KP106	KP3500111	20
KP120D	KP4000211	34
KP30WL	KP3700211	57
KP500D	KP6000211	41
KP500DV	KP6100211	41
KT TMP	KT4700111	82
KV100	CT3410111	29
MFO1	MM4500113	83
MFO2	MM4600113	83
MM2OWL	MM4300113	63
MM3OWL	MM6700211	58
MM3OWL-BR	MM6800211	58
MMB01	MM4400213	83
MMH01	MM4700213	84
MMH02	MM4800213	84
MMH03	MM4900113	84
MMIO1	MM5000213	85
MMIO2	MM5100213	85
MMIO3	MM5200113	85
MMI17	MM6000113	85
MMS01	MM5300113	84
MMS01-BR	MM5400113	84
MMS02	MM5500213	84
MMS03	MM5600213	85
MMS50	MM5700113	84
MMS50-BR	MM5800113	84

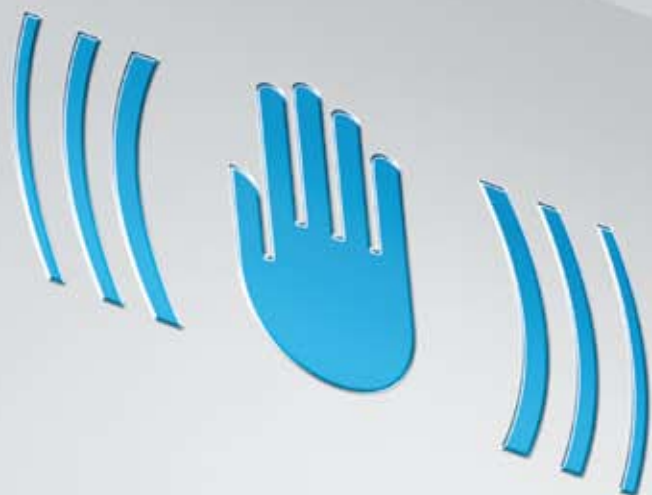
ALPHABETIC INDEX

PRODUCT NAME CODICE PAGE

MMS60	MM6100113	85
MMS60MR	MM6200113	85
MMZO1	MM5900113	85
MODEM	CT3900113	49
MODEM/ROUTER	CT5200111	42
MODULO PROTEZIONI	HP8810111	102
MP 200/256-OM	MP6400211	47
MP105	MP9700111	16
MP106TG/V	MP9K00111	19
MP110	MP1A00211	27
MP110M	MP5A00211	27
MP110TG	MP2A00211	27
MP120	MP0400211	33
MP120M	MP3H00211	34
MP120M/TG	MP4H00211	34
MP120TG	MP2H00211	33
MP200/256	MP6500111	47
MP200/64	MP6300111	47
MP200/64-OM	MP6200211	47
MP200/256-OM	MP6400211	47
MP508M/TG	MP8K00211	40
MP508TG	MP4K00211	40
MRO2	MP7910111	29
MS04	MS0800211	81
MS04ET	MS1110211	82
MS04IT	MS1010211	82
MS04PK	MS1200211	81
MU30	MU2910111	59
MW 21 PD	MW1100211	76
MW30RT	MW1900111	96
MWA120RT	MW5600111	96
MWA60RT	MW5500111	96
PA01-C	PL2300113	113
PS/SP50	PS6810163	94
RB06	RB0410113	113
RB12	RB0110113	113
RB212	RB0110113	113
RB15	RB0810113	113
RB19	RB0310113	113
RB24	RB0510113	113
RB612	RB0910113	113
RS/MWA	MW5810113	97

PRODUCT NAME CODICE PAGE

RS10	ELO200115	93
RS10/T	ELO600115	93
RS50T	EL1710163	94
RT03	RT0700173	80
RT35	RT0200171	97
RX02	RX3240143	113
SP10/15	SP1000111	97
SP10/20	SP1100111	97
SP11/15	SP1100113	92
SP11/20	SP1200113	92
SP11/25	SP1300113	92
SP11/30	SP1400113	92
SP11/M	SP1600161	92
SP120/MWA	SP9610113	97
SP13/15	SP1200111	92
SP13/20	SP1300111	92
SP130/MWA	SP9710113	97
SP20/MWA	SP9410113	97
SP50/15	KT2B00163	94
SP50/20	KT3B00163	94
SP50/25	KT4B00163	94
SP50/30	KT5B00163	94
SP50/MWA	SP9510113	97
SP900/10	SP5900111	71
SPA04	SP6900111	82
SPA10/10	SP7500111	71
STM200	CT4110211	49
STM30	CT5010211	57
SV108	CT3210111	29
SV500I	CT5610111	42
TELECOMANDO SOCCORSO	TX1000113	110
TX02	TX7950143	113
TX02M	TX7850143	113
TX31WL/5	TX3500211	57
UR1Z	MP6110111	35
VIDEO GATEWAY 4I	VDO800111	43
VSD 3	VVO600113	80
WL31	WLO100211	57
WL31TG	WLO200211	57
ZA X SP50	SP8910163	94



INDEX

WIRE ALARM SYSTEMS



MP105	14
MP106TG/V	18
MP110	24
MP120	30
MP508	36
MP200	44

WIRELESS ALARM SYSTEMS



WL31	52
WL20	60

VOLUMETRIC DETECTORS



INFRARED	66
DOUBLE TECHNOLOGY	72
MICROWAVE	76
OUTDOOR	77

PERIMETER PROTECTIONS



STRUCTURE PROTECTIONS ...	80
INDOOR BARRIER	82
MAGNETIC CONTACTS	83

OUTDOOR PROTECTIONS



INFRARED BARRIERS.....	88
MICROWAVE BARRIERS.....	95

SOUNDERS



OUTDOOR SOUNDERS	100
INDOOR SOUNDERS	104

COMMUNICATORS



GSM COMMUNICATORS	106
PSTN COMMUNICATOR	108

HOME AUTOMATION ACCESSORIES



AID KIT.....	110
ACTIVATION SYSTEMS.....	111
ELECTRICAL ADAPTORS.....	112
TRANSMITTERS	113
BATTERIES	113
POWER SUPPLY UNITS.....	114





WIRE ALARM SYSTEM

MP105	page 15
MP106TG/V	page 18
MP110	page 24
MP120	page 30
MP508	page 36
MP200	page 44



WIRE ALARM SYSTEM

MP105 SYSTEM

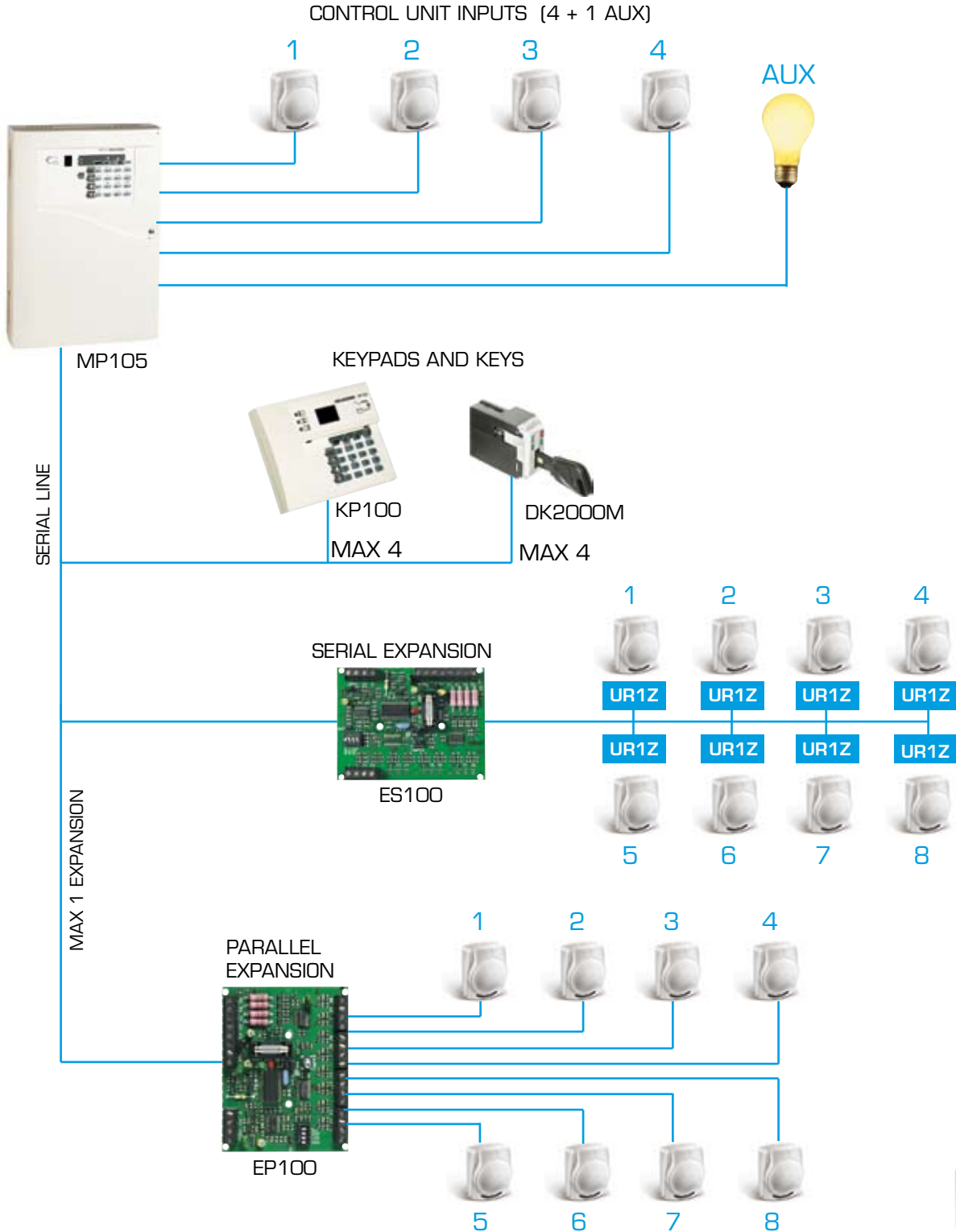


WIRE ALARM SYSTEMS

MP105 SYSTEM: FROM 4 UP TO 12 INPUTS

FOR SMALL SIZE SYSTEMS

To make small and medium dimension products, Elcron's microprocessor technology provides MP105, the 4 alarm zone system expandable up to 12. The system is manageable through in-built keypad (with 4 access codes), remote keypad, electronic digital key or mechanical key. It is possible to part set the device in 2 sectors and transmit the alarm through telephone line, thanks to the optional communicator. Remote keypad, the expansion and the electronic keys dialogue on the serial line.



WIRE ALARM SYSTEMS

MP105 SYSTEM: FROM 4 UP TO 12 INPUTS

Control Unit

MP105 cod. MP9700111

Wire control unit suitable to make small and medium size systems with 4 inputs expandable up to 12.

- Control unit suitable to make small size system provided with 4 alarm zones programmable as instantaneous, delayed, last exit, chime, with
- Programmable part set in 2 groups
- 1 auxiliary input programmable for theft, panic, technological, fire, alarms
- 1 system self protection input.
- 1 mechanical key input
- Setting/unsetting through built-in keypad, remote keypad, built-in electronic key module, mechanical key.
- 4 different codes are available: master user's, user's 2, engineering's, telemonitoring
- Warning for: network presence, battery low, system status, tampering, open inputs, inputs disabled
- Entry time, exit time, alarm time adjustable
- CHIME FACILITY: possibility to enable, when the system is off, the sound of a buzzer when a door or window opens
- Alarm count for each input (programmable)
- Serial/parallel expansion: 1 max
- Remote keypads for electronic keys: 4 max.
- Remote keypads: 4 max.
- Allocable battery: 12 Vdc - 6 Ah
- Power supply: 1,1 A
- Dimensions (H x W x D): 345 x 240 x 79 mm



MP105

Control Items

KP100 cod. KP2100211

Backlit remote keypad

- Remote keypad connected through dedicated serial line; featuring segment display and warning leds.
- 4 remote keypads can be installed as a maximum.
- Dimensions (H x W x D): 108 x 140 x 45 mm.



KP100

DK2000M cod. DK2000111

Key reader for electronic digital key (black)

- Key reader connected through dedicated serial line
- White version code DK2000M/B - DK2400111.
- Dimensions (H x W x D): 40 x 20 x 50 mm.



DK2000M

DK20 cod. DK1700111

Electronic digital key

- Programmable key to receive a code (more than 4 milliards of combinations available) generated by the control unit at random. Therefore, the number of keys that can be programmed with the same code is unlimited.
- Through the electronic key DK20 it is possible to enable/disable the system totally or partially.



DK20



WIRE ALARM SYSTEMS

MP105 SYSTEM: FROM 4 UP TO 12 INPUTS

Expansions

ES100 cod. MP7310111

8 serial input extension unit

- Expansion from 8 alarm zones, Takes a BUS on output for connecting the interface modules which can be placed inside the detectors (UR1Z) and capable of taking back to the control unit the alarm and tamper information for every detector.
- Inputs of parallel expansions are programmable as instantaneous or delayed and they can be memorized, excluded and associated to the managed sectors.
- The expansions are connected through dedicated serial line



ES100

EP100 cod. MP7210111

8 parallel input extension unit

- Allows traditional detector connection (parallel).
- Inputs of expansions are programmable as instantaneous or delayed and they can be memorized, excluded and associated to the managed sectors.
- The expansions are connected through dedicated serial line



EP100

UR1Z cod. MP6110111

Serial interface module for ES100.

- It can be placed inside the detectors



UR1Z

Accessories

IV 4Z cod. MP9610111

Interface board equipped with 4 storable alarms inputs and 4 electric outputs, one for each input. The board transforms the fast signals coming from equipment such as vibrators, shutter sensors, etc into signals manageable by alarm control unit



CP4F

CP 4F cod. MP5900111

Plastic Box

- Prearranged to contain ES100, EP100, and IV4Z modules.
- Dimensions (H x W x D): 189 x 110 x 30 mm.



CP8Z

CP8Z cod. MP7400111

Plastic Box

- Prearranged to contain ES100, EP100, and IV4Z modules.
- Dimensions (H x W x D): 245 x 185 x 70 mm.



WIRE ALARM SYSTEM

MP106TGV SYSTEM

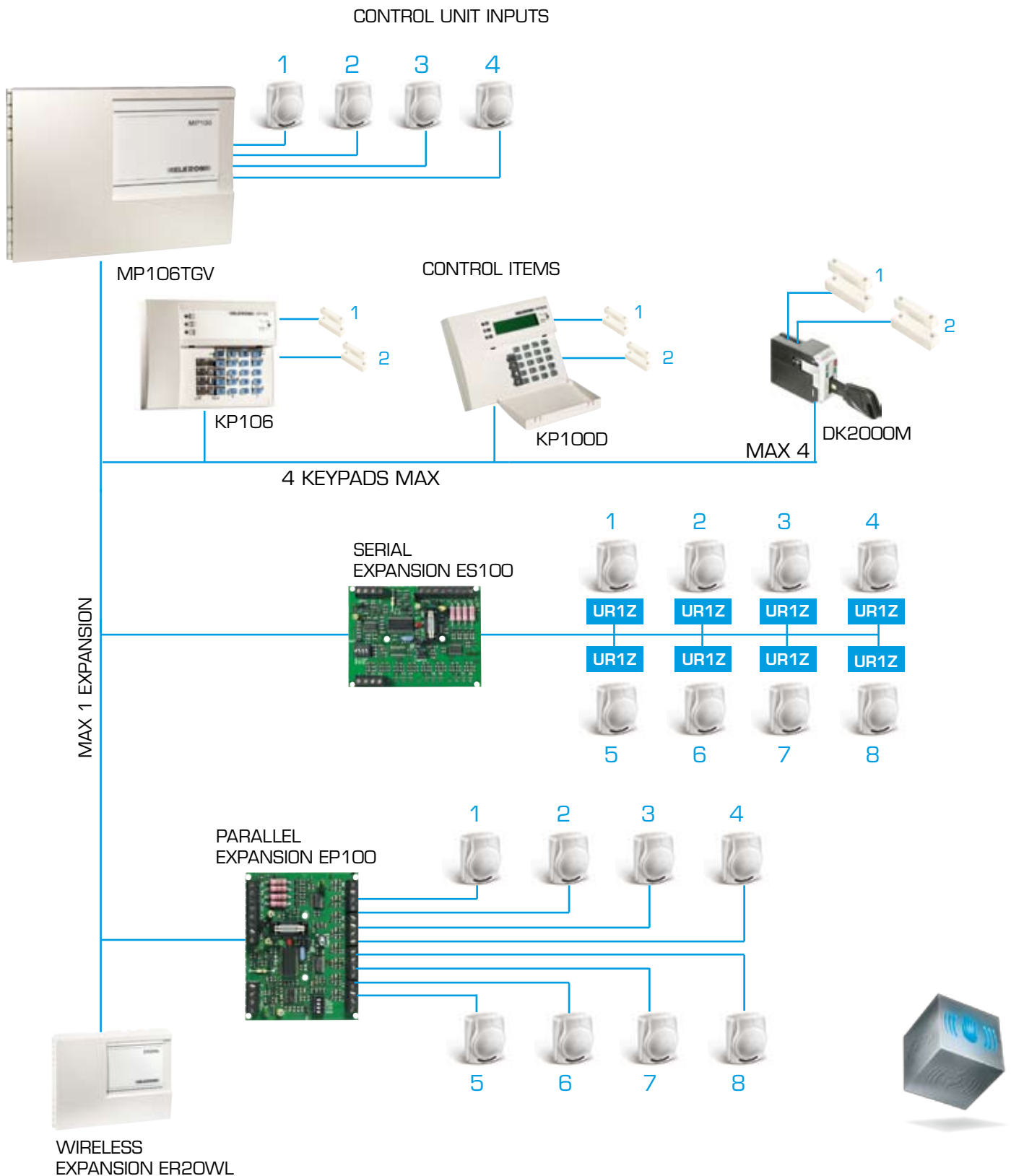


WIRE ALARM SYSTEMS

MP106TG/V: FROM 4 UP TO 28 INPUTS

FOR SMALL SIZE ALARM SYSTEMS

The MP106 system permits to manage 4 zones of alarm in the base version, and reaches up to 28 with optional expansion, or using the alarm zones present on each keypad or on each electronic reader. It is possible to part set the system in 3 sectors. MP106 is manageable through remote keypad and/or electronic key connected to the serial line. The alarms can be transmitted on the telephone line with main communication protocols or through pre-recorded messages thanks to the voice synthesis. The system can be directly uploaded or downloaded by PC, through USB interface and it is also Tele-manageable remotely or via modem.



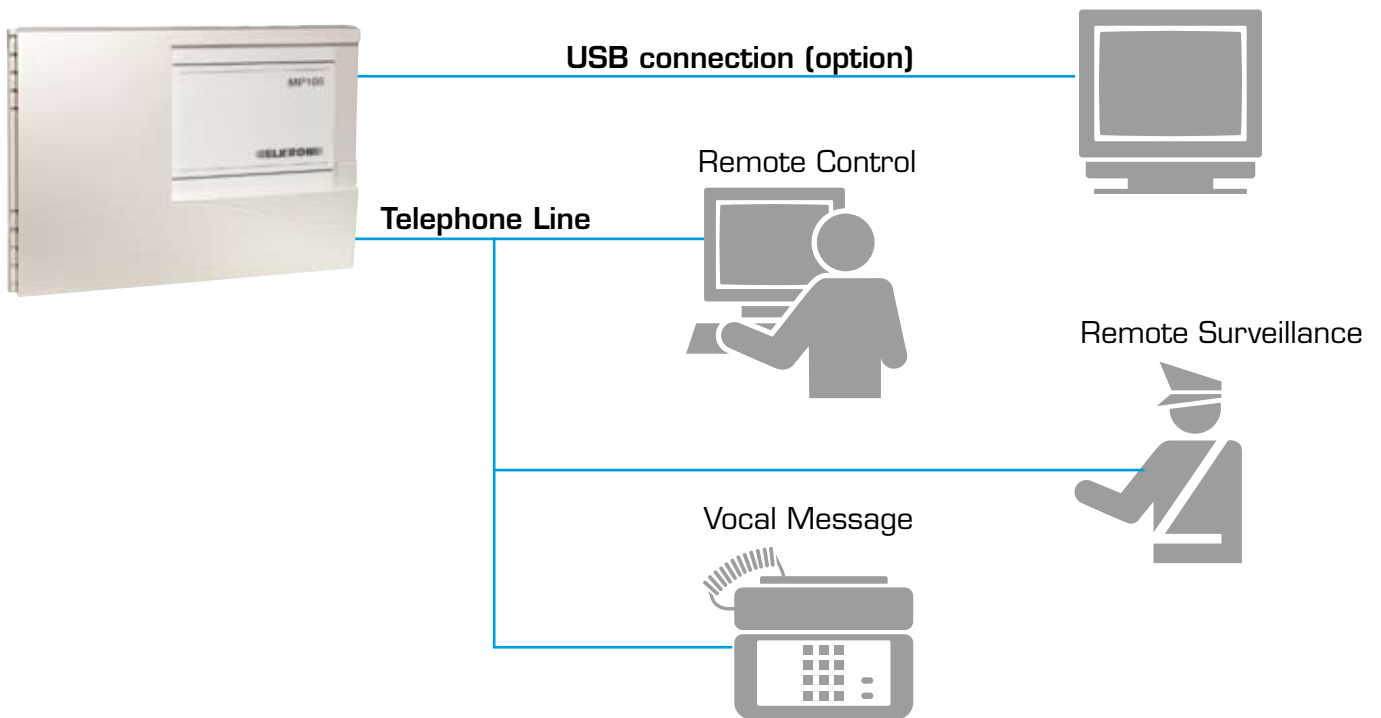
WIRE ALARM SYSTEMS

PROGRAMMABLE PART SET



The system can be subdivided into 3 independently armed partitions.

REMOTE CONTROL - ALARM TRANSMISSION



FASTLINK SOFTWARE

SYSTEM LOCALLY PROGRAMMABLE FROM PC OR REMOTELY PROGRAMMABLE VIA MODEM OVER TELEPHONE LINE

Data uploading and downloading through a dedicated easy-to-use, user-friendly running over Windows. The same software is already in use for remote management of other Elcron Systems. This software permits to record and classify customers, systems and operators. It also permits the following: remote control panel programming, control panel program downloading, program verification and editing, program uploading to control panel, system event log downloading, real time checking of system, input, output, battery and fuse status.



WIRE ALARM SYSTEMS

MP106TG/V: FROM 4 UP TO 28 INPUTS

Alarm Control Unit

MP106TG/V cod. MP9K00111(A) GB/E/P

MP106TG/V cod. MP6K00111(C) I/F/D

Wire control unit for medium size plants equipped with 4 zones expandable up to 28.

- Wire control unit for small size plants equipped with 4 zones max + 1 tamper input + 1 mechanical key input. Expandable up to 28 zones + zones 24H + 4 AUX
- 2 programmable alarm outputs: 1 open collector electric outputs and 1 relay output with free exchange.
- Inputs can be partialized into 3 sectors
- Possibility of controlling up to 4 readers, 4 keyboards and 4 expansions for inputs/outputs via dedicated serial line (4 conductors)
- 8 supplementary alarm zones + 1 tamper input + 1 auxiliary input in every input expansion which may be of parallel type (EP100) or serial type (ES100). Every expansion is also equipped with 4 open collector electric outputs. The inputs can be further expanded through the wireless expansion ER20WL.
- 2 additional alarm zones in every reader and in every remote keyboard
- Programmable zones such as THEFT (instant, delayed, last output, GONG), Technologic, Fire, Silent panic, panic with sirens.
- Activation and deactivation via LCD display remote keyboard (with clear message visualization), led remote keyboard, integrated electronic key, mechanical key.
- Signalling of :general alarm, failure, mains presence, low battery, plant status, tamper alarm,inputs open, inputs cut off. Signalling is provided by means of leds and/or display.
- 8 user access codes are available: MASTER code, installer code, remote surveillance code, user code 2, 5, 6, 7 and 8.
- Max 64 events can be memorized.
- Alarm transmission integrated in the control unit with 6 23-digit telephone numbers communicator Multiprotocol digital transmission on 8 programmable channels. Voice transmission with 9 messages (1 base message + 8 alarm messages)
- Programmable with KP100 led keyboard and KP100D keyboard.
- Programmable through local/remote PC and Fast Link software.
- Programmable commutating lock functions with open zones and zone self-bypassing.
- Max length of unit-peripheral serial line: 500 meters (2x0.75 cable sect.for feeder + 2 x 0.22 x data).
- Degree of protection provided by casing: IP30/ IK 02.
- Allocable battery (plastic box): 12 Vdc 2,2 Ah.
- Switching power supply: 1 A.
- Dimensions (H x W x D): 245 x 185 x 70 mm.



MP106TG/V



WIRE ALARM SYSTEMS

MP106TG/V: FROM 4 UP TO 28 INPUTS

Control Items

KP106 cod. KP3500111

Remote keypad

- Remote keyboard connected on dedicated serial line
- Max 4 keyboard installable
- Degree of protection provided by casing: IP30/ IK 02.
- Dimensions (H x W x D): 108 x 140 x 45 mm.



KP106

KP100D cod. KP2200111

Backlit remote keypad with LCD display.

- Remote keyboard connected on dedicated serial line, equipped with 16-character display with clear message signalling and signalling leds.
- 2 on-board additional alarm zones.
- Max 4 keyboard installable
- Degree of protection provided by casing: IP30/ IK 02.
- Dimensions (H x W x D): 108 x 140 x 45 mm.



KP100D

DK2000M cod. DK2000111

Key reader for electronic digital key (black)

- Reader connectable on dedicated serial line.
- Max number of readers connectable to MP110 system: 4.
- Max number of programmable DK20 keys Unlimited.
- White version code DK2000M/B - DK2400111.
- Dimensions (H x W x D): 40 x 20 x 50 mm.



2° level

DK20 cod. DK1700111

Electronic digital key

- Programmable key to receive a code (more than 4 milliards of combinations available) generated by the control unit at random. Therefore, the number of keys that can be programmed with the same code is unlimited.
- Through the electronic key DK20 it is possible to enable/disable the system totally or partially.



DK2000M



2° level

Software for remote control

FAST-LINK cod. SW1300111

Data uploading and downloading through a dedicated, easy to use, user-friendly software running under Windows™



DK20



2° level

MODEM cod. CT3900113

External modem to connect to PC for telemonitoring functions



WIRE ALARM SYSTEMS

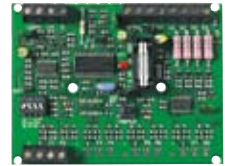
MP106TG/V: FROM 4 UP TO 28 INPUTS

Expansions

ES100 cod. MP7310111

8 serial input extension unit

- Expansion from 8 alarm zones, Takes a BUS on output for connecting the interface modules which can be placed inside the detectors (UR1Z) and capable of taking back to the control unit the alarm and tamper information for every detector.
- Inputs of parallel expansions are programmable as instantaneous or delayed and they can be memorized, excluded and associated to the managed sectors.
- The expansions are connected through dedicated serial line



ES100

EP100 cod. MP7210111

8 parallel input extension unit

- Allows traditional detector connection (parallel).
- Inputs of expansions are programmable as instantaneous or delayed and they can be memorized, excluded and associated to the managed sectors.
- The expansions are connected through dedicated serial line



EP100

UR1Z cod. MP6110111

Serial interface module for ES100.

- It can be placed inside the detectors



2° level

Accessories

IT USB cod. MP9H10111

Interface module for connecting the control unit to the PC

MR 02 cod. MP7910111

2 relais module for TTL o OPEN COLLECTOR NH/NL electrical outputs

IV 4Z cod. MP9610111

Interface board equipped with 4 storable alarms inputs and 4 electric outputs, one for each input. The board transforms the fast signals coming from equipment such as vibrators, shutter sensors, etc into signals manageable by alarm control unit



IV4Z



WIRE ALARM SYSTEMS

MP110 SYSTEM

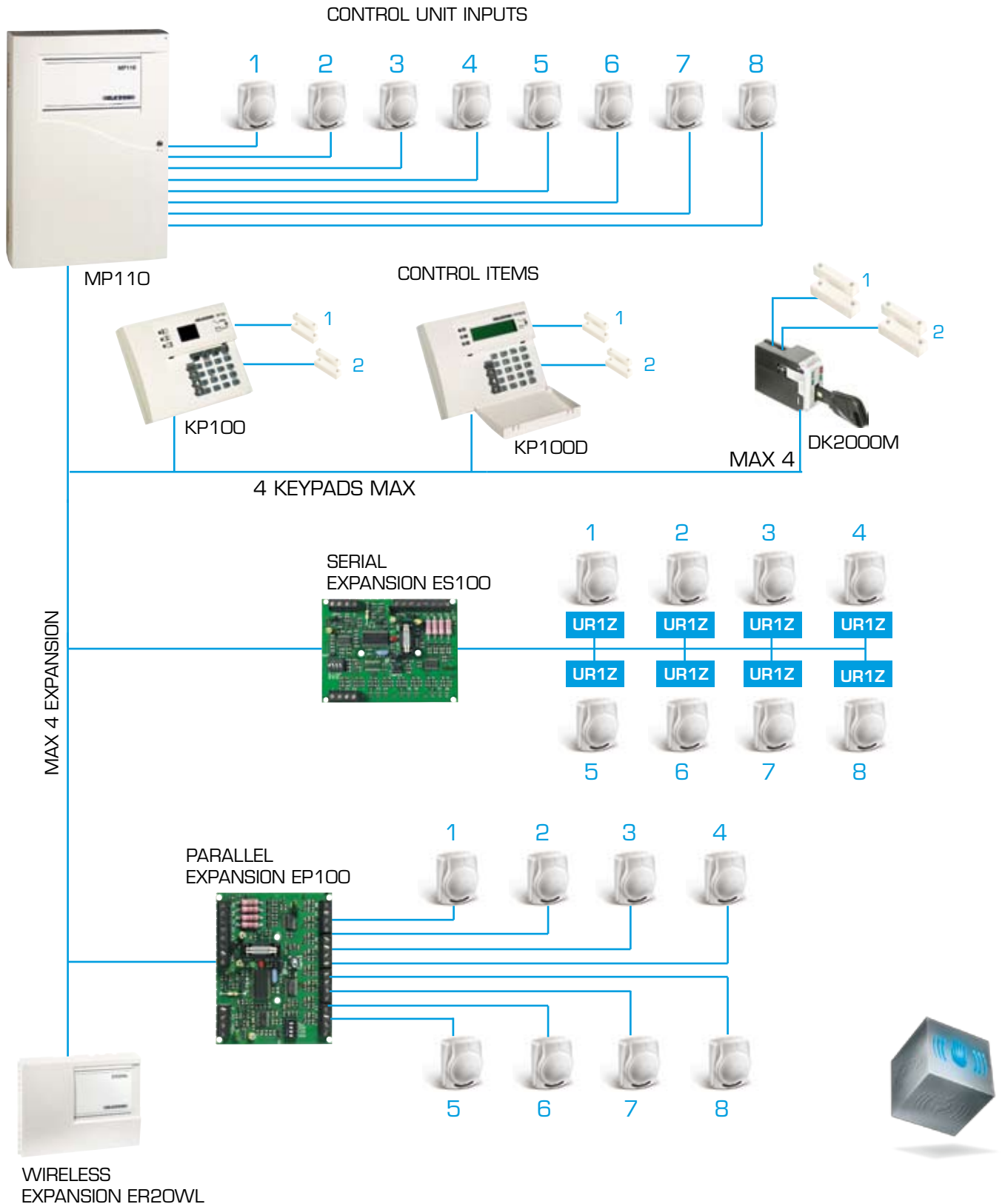


WIRE ALARM SYSTEMS

MP110: FROM 8 UP TO 56 INPUTS

FOR MIDDLE SIZE ALARM SYSTEMS

It is ideal for the device of medium extension, the MP110 system permits to manage 8 zones of alarm in the base version, and reaches up to 56 with optional expansion, or using the alarm zones present on each keypad or on each electronic reader. It is possible to part set the system in 3 sectors. MP110 is manageable through remote keypad and/or electronic key connected to the serial line. The alarms can be transmitted on the telephone line with main communication protocols or through pre-recorded messages thanks to the optional voice synthesis card. The system can be directly uploaded or downloaded by PC, through RS232 serial door and it is also Tele-manageable remotely or via modem.



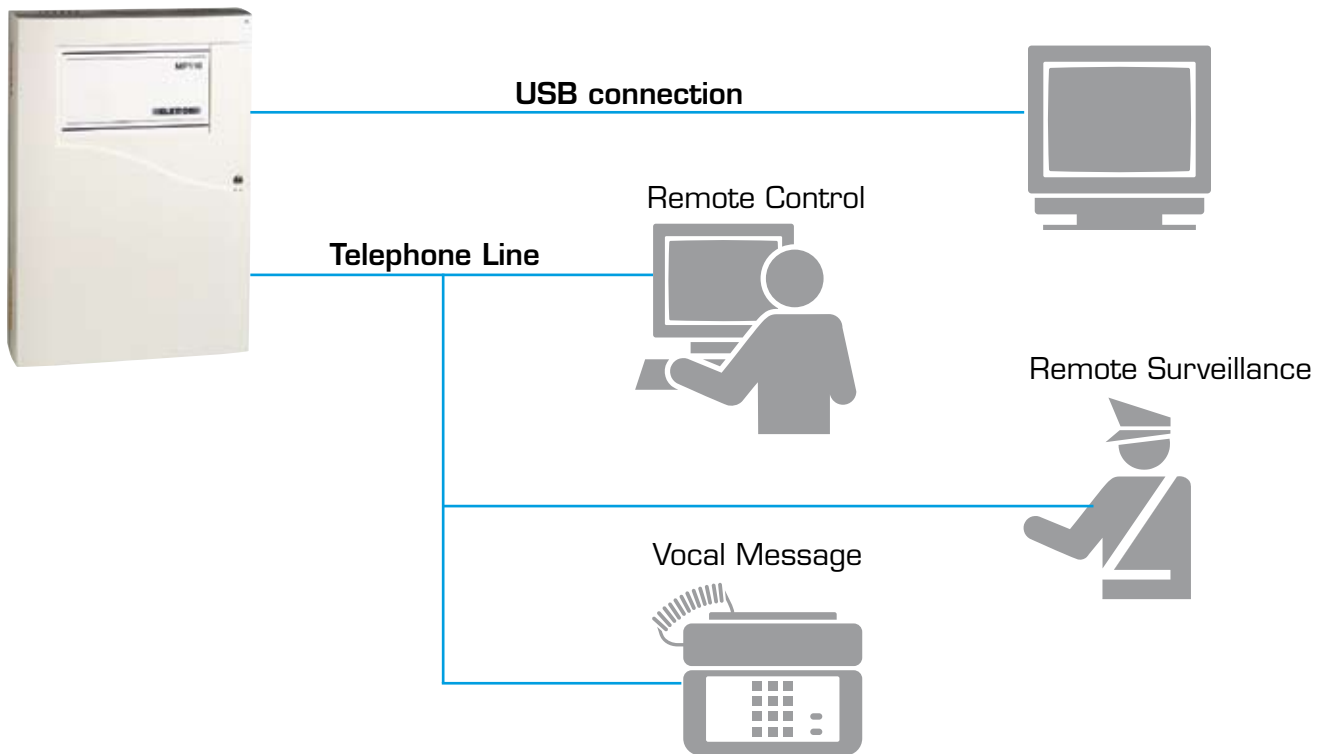
WIRE ALARM SYSTEMS

PROGRAMMABLE PART SET



The system can be subdivided into 3 independently armed partitions.

REMOTE CONTROL - ALARM TRANSMISSION



FASTLINK SOFTWARE

SYSTEM LOCALLY PROGRAMMABLE FROM PC OVER RS232 LINE OR REMOTELY PROGRAMMABLE VIA MODEM OVER TELEPHONE LINE

Data uploading and downloading through a dedicated easy-to-use, user-friendly running over Windows. The same software is already in use for remote management of other Elkron Systems. This software permits to record and classify customers, systems and operators. It also permits the following: remote control panel programming, control panel program downloading, program verification and editing, program uploading to control panel, system event log downloading, real time checking of system, input, output, battery and fuse status.



WIRE ALARM SYSTEMS

MP110: FROM 8 UP TO 56 INPUTS

Alarm Control Unit

MP110 cod. MP1A00211

Wire control unit for medium size plants equipped with 8 zones expandable up to 56.

- Wire control unit for small and medium size plants equipped with 8 zones max + 1 tamper input + 1 mechanical key input. Expandable up to 56 zones + zones 24H + 4 AUX
- 5 programmable alarm outputs: 4 open collector electric outputs and 1 relay output with free exchange.
- Inputs can be partialized into 3 sectors
- Possibility of controlling up to 4 readers, 4 keyboards and 4 expansions for inputs/outputs via dedicated serial line (4 conductors)
- 8 supplementary alarm zones + 1 tamper input + 1 auxiliary input in every input expansion which may be of parallel type (EP100) or serial type (ES100). Every expansion is also equipped with 4 open collector electric outputs. The inputs can be further expanded through the wireless expansion ER2OWL.
- 2 additional alarm zones in every reader and in every remote keyboard
- Programmable zones such as THEFT (instant, delayed, last output, GONG), Technologic, Fire, Silent panic, panic with sirens.
- Activation and deactivation via LCD display remote keyboard (with clear message visualization), led remote keyboard, integrated electronic key, mechanical key.
- Signalling of :general alarm, failure, mains presence, low battery, plant status, tamper alarm,inputs open, inputs cut off. Signalling is provided by means of leds and/or display.
- 8 user access codes are available: MASTER code, installer code, remote surveillance code, user code 2, 5, 6, 7 and 8.
- Max 64 events can be memorized.
- Alarm transmission integrated in the control unit (MP110TG version) with 6 23-digit telephone numbers communicator Multiprotocol digital transmission on 8 programmable channels. Optional voice transmission (with SV108+KV100 module) with 9 messages (1 base message + 8 alarm messages)
- Programmable with KP100 led keyboard and KP100D keyboard.
- Programmable through local/remote PC and Fast Link software.
- Programmable commutating lock functions with open zones and zone self-bypassing.
- Max length of unit-peripheral serial line: 500 meters (2x0.75 cable sect.for feeder + 2 x 0.22 x data).
- Degree of protection provided by casing: IP30/ IK 02.
- Allocable battery (plastic box): 12 Vdc 6 Ah.
- Switching power supply: 1,5 A.
- Dimensions (H x W x D): 345 x 240 x 79 mm.

MP110TG cod. MP2A00211

Same as MP110 but with alarm transmission through communicator integrated.

- Vocal transmission in option through SV108.

MP110M cod. MP5A00211

Same as MP110 but in metallic box and 2,2 A power supply.

- Dimensions (H x W x D): 318 x 422 x 91 mm.



MP110 - MP110TG/A



2° level



MP110M



2° level



WIRE ALARM SYSTEMS

MP110: FROM 8 UP TO 56 INPUTS

Control Items

KP100 cod. KP2100211

Backlit remote keypad with 2 led digit display.

- Remote keyboard connected on dedicated serial line, equipped with 2 led digits and signalling leds.
- 2 on-board additional alarm zones.
- Max 4 keyboard installable
- Degree of protection provided by casing: IP30/ IK 02.
- Dimensions (H x W x D): 108 x 140 x 45 mm.



KP100



2° level

KP100D cod. KP2200111

Backlit remote keypad with LCD display.

- Remote keyboard connected on dedicated serial line, equipped with 16-character display with clear message signalling and signalling leds.
- 2 on-board additional alarm zones.
- Max 4 keyboard installable
- Degree of protection provided by casing: IP30/ IK 02.
- Dimensions (H x W x D): 108 x 140 x 45 mm.



KP100D



2° level

DK2000M cod. DK2000111

Key reader for electronic digital key (black)

- Reader connectable on dedicated serial line.
- Max number of readers connectable to MP110 system: 4.
- Max number of programmable DK20 keys Unlimited.
- White version code DK2000M/B - DK2400111.
- Dimensions (H x W x D): 40 x 20 x 50 mm.



DK2000M



2° level

DK20 cod. DK1700111

Electronic digital key

- Programmable key to receive a code (more than 4 milliards of combinations available) generated by the control unit at random. Therefore, the number of keys that can be programmed with the same code is unlimited.
- Through the electronic key DK20 it is possible to enable/disable the system totally or partially.



DK20



2° level

Software for remote control

FAST-LINK cod. SW1300111

Data uploading and downloading through a dedicated, easy to use, user-friendly software running under Windows™

MODEM cod. CT3900113

External modem to connect to PC for telemonitoring functions



WIRE ALARM SYSTEMS

MP110: FROM 8 UP TO 56 INPUTS

Expansions

ES100 cod. MP7310111

8 serial input extension unit

- Expansion from 8 alarm zones, Takes a BUS on output for connecting the interface modules which can be placed inside the detectors (UR1Z) and capable of taking back to the control unit the alarm and tamper information for every detector.
- Inputs of parallel expansions are programmable as instantaneous or delayed and they can be memorized, excluded and associated to the managed sectors.
- The expansions are connected through dedicated serial line



ES100

EP100 cod. MP7210111

8 parallel input extension unit

- Allows traditional detector connection (parallel).
- Inputs of expansions are programmable as instantaneous or delayed and they can be memorized, excluded and associated to the managed sectors.
- The expansions are connected through dedicated serial line



EP100

UR1Z cod. MP6110111

Serial interface module for ES100.

- It can be placed inside the detectors



2° level

Accessories

SV108 cod. CT3210111

Vocal synthesis module

KV 100 cod. CT3410111

Voice synthesis kit consisting of microphone and speaker

ILT100 cod. CT4210111

Modulo di interfaccia alla linea telefonica.

IT USB cod. MP9H10111

interface module for connecting the communicator (for MP110 control unit only) to the telephone line

MR 02 cod. MP7910111

2 relais module for TTL o OPEN COLLECTOR NH/NL electrical outputs

IV 4Z cod. MP9610111

Interface board equipped with 4 storable alarms inputs and 4 electric outputs, one for each input. The board transforms the fast signals coming from equipment such as vibrators, shutter sensors, etc into signals manageable by alarm control unit



IV4Z



WIRE ALARM SYSTEMS

MP120 SYSTEM

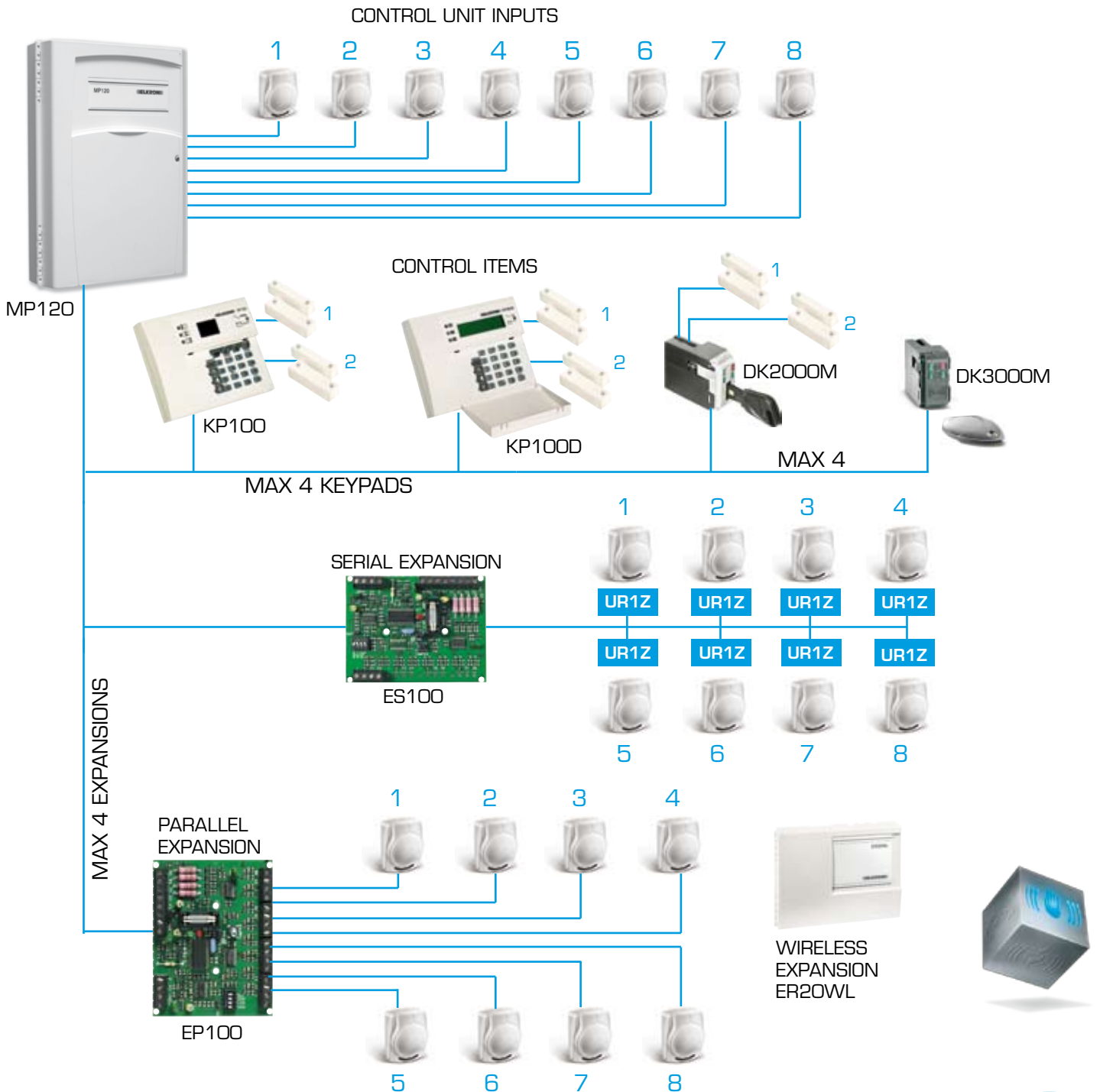


WIRE ALARM SYSTEMS

MP120 SYSTEM: FROM 8 UP TO 56 INPUTS

FOR MIDDLE SIZE ALARM SYSTEMS

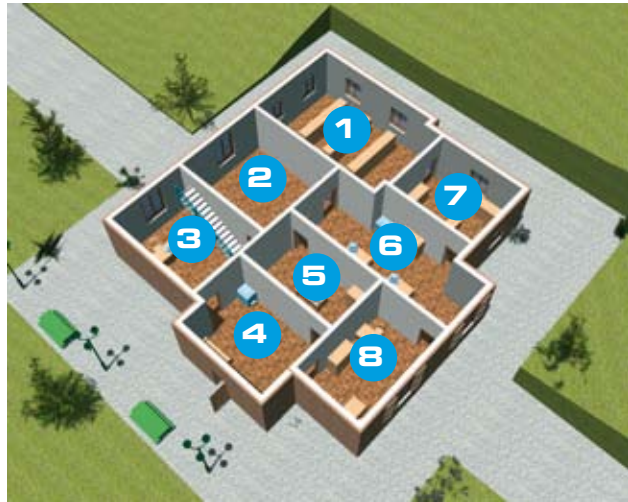
The MP120 system is an antitheft and safety alarm wire system suitable for individual users both in the residential, industrial or service industry fields. The inputs can be configured as unbalanced (N.C.), single-balancing and dualbalancing inputs. The control unit, inserters, keyboards and input/output expansions are connected with one another through a bus. The detectors, sirens and other signalling devices are, on the contrary, connected to the inputs and outputs available in the control unit and the other aforesaid devices. Using the bus makes cabling much easier and allows you to save money, since not all the connections need be terminated directly to the control unit. For instance, if you wish to ensure the antitheft feature as well as local actuation for an annexe (e.g. garage, warehouse, shop), you will just need to run the bus cable to the annexed building, and the bus cable shall be connected to an inserter (or keyboard) and an expansion to which the alarm detectors will be linked. The MP120 system may, if equipped with a communicator, send telephone, voice alarm messages with numeric protocol (to remote surveillance agencies); moreover, it may also be controlled remotely through the telephone (incl. mobile phones) and make use of remote assistance. The system is programmed through any of its keyboards, and also be connecting the control unit to a PC equipped with the Fast Link software, after the control unit has been equipped with the interface with the RS232 port.



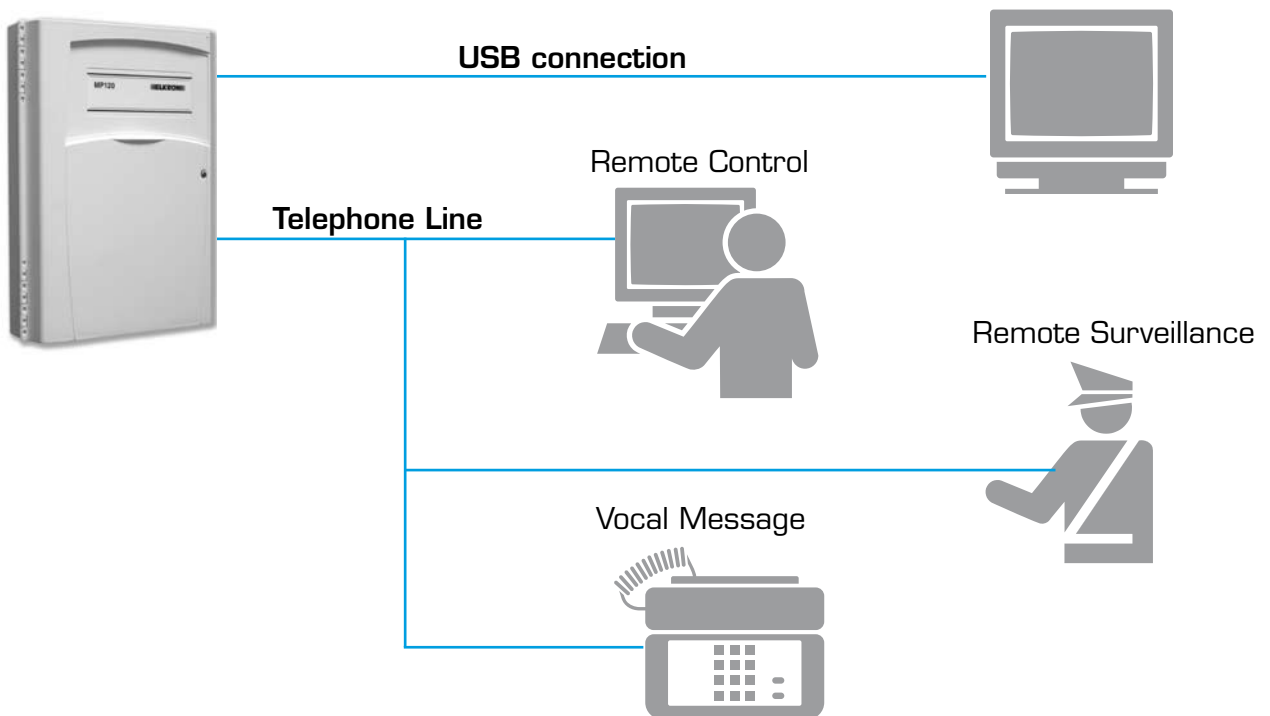
WIRE ALARM SYSTEMS

PROGRAMMABLE PART SET

The system can be subdivided into 8 independently armed partitions.



REMOTE CONTROL - ALARM TRANSMISSION



SOFTWARE HI-CONNECT

SYSTEM LOCALLY PROGRAMMABLE FROM PC OVER USB LINE OR REMOTELY PROGRAMMABLE VIA MODEM OVER TELEPHONE LINE.

Data uploading and downloading through a dedicated, easy-to-use, user-friendly software running under windows 3.1 or windows. the same software is already in use for the remote management of other elkron systems (WL31). This software permits to record and classify customers, systems and operators. It also permits the following: remote control panel programming, control panel program downloading, program verification and editing, program uploading to control panel, system event log downloading, real-time checking of system, input, output, battery and fuse status.

WIRE ALARM SYSTEMS

MP120 SYSTEM: FROM 8 UP TO 56 INPUTS

Control units

MP120 cod. MPO400211

Expandable (up to 56 zones) control unit with communicator (in option) and pc up/down loading via usb and modem

- Control panel is provided with 8 inputs with uncoded assignment + 1 24h input + 1 keyswitch input. It is expandable up to 56 inputs + 5 24h inputs + 4 AUX inputs.
- It is programmable with LCD keypad KP120, local/remote PC and Hi-Connect software.
- It is provided with 5 programmable alarm outputs: 4 open collector electrical outputs and 1 relay output with free exchange.
- It has the capability to split inputs into 8 partitions that can be freely clustered in 3 areas.
- It has the capability to manage up to 4 key readers (independently of either DK2000M or DK3000M model), 4 keypads and 4 input/output expansions by dedicated serial line (with 4 leads).
- It is provided with 8 alarm additional inputs + 1 tamper input + 1 auxiliary input at each input expansion, which can be of either parallel (EP100) or serial (ES100) type. Each expansion has also available 4 open collector electrical outputs.
- It has 2 alarm additional inputs at each key reader DK2000M and at each remote keypad.
- It has inputs programmable as BURGLARY (instantaneous, delayed, last output, GONG), Technological, Fire, silent panic, panic with sirens.
- Commissioning and decommissioning is through LCD remote keypad (with inputs and messages uncoded assignment and display), integrated key, proximity reader, keyswitch.
- It provides following signals: general alarm, failure, network present, battery low, system status, tamper alarm, inputs open, inputs excluded. Signals are provided through leds and/or displays.
- It has available 8 access codes: MASTER, Fitter, Watchman, Users 2, 5, 6, 7, 8.
- Up to 250 events can be stored in EEprom (non volatile) memory.
- Alarm transmission is integrated at control panel (version MP120TG) with communicator with 6 23-digit telephone numbers. Digital transmission is of multi-protocol type. It has available an optional vocal transmission (with module SV108 + KV100) with 15 messages (1 basic message + 14 messages for alarms), as well as telephone calls cycle locking capability from remote location with DTMF code.
- It has entry locking programmable functions in presence of open inputs and inputs self-exclusion.
- It has daily and weekly time-table programmers with the capability to activate/deactivate partition and/or outputs. It has also the capability to put off (1 hour) time-table programmer activation with pre-entry signal (5 min), 4 programming tables (for commands).
- Max length of unit-peripheral serial line: 500 meters (2x0.75 cable sect.for feeder + 2 x 0.22 x data).
- Degree of protection provided by casing: IP30/ IK 02.
- Allocable battery (plastic box): 12 Vdc 6 Ah.
- Switching power supply: 1,5 A.
- Dimensions (H x W x D): 345 x 240 x 79 mm.

MP120TG cod. MP2H00211

Same as MP120 but with alarm transmission through communicator integrated in the control unit

- Vocal transmission in option through SV108 unit.



MP120 / MP120TG



2° level



WIRE ALARM SYSTEMS

MP120 SYSTEM: FROM 8 UP TO 56 INPUTS

Control units

MP120M cod. MP3H00211

Same as MP120 but in metallic box and 2,8A power supply.

- Dimensions (H x W x D): 318 x 422 x 91 mm

MP120M/TG cod. MP4H00211

Same as MP120TG but in metallic box and 2,8A power supply.

- Dimensions (H x W x D): 318 x 422 x 91 mm.

Control Items

KP120D cod. KP4000211

Backlit remote keypad with LCD display.

- Remote keyboard connected on dedicated serial line, equipped with 16-character. Inputs and messages clear naming and visualisation.
- 2 on-board additional alarm zones.
- Max 4 keyboard installable
- Degree of protection provided by casing: IP30/ IK 02.
- Dimensions (H x W x D): 108 x 140 x 45 mm.

DK2000M cod. DK2000111

Key reader for electronic digital key (black)

- Reader connectable on dedicated serial line.
- Max number of readers connectable to MP110 system: 4.
- Max number of programmable DK20 keys Unlimited.
- White version code DK2000M/B - DK2400111.
- Dimensions (H x W x D): 40 x 20 x 50 mm.

DK20 cod. DK1700111

Electronic digital key

- Programmable key to receive a code (more than 4 milliards of combinations available) generated by the control unit at random. Therefore, the number of keys that can be programmed with the same code is unlimited.
- Through the electronic key DK20 it is possible to enable/disable the system totally or partially.

DK3000M cod. DK3000111

Proximity reader for transponder key DK30

- The device features 4 signalling LEDs (one for the system status, three for the area or sector status).
- Dimensioni (H x W x D): 40 x 20 x 50 mm

DK30 cod. DK3500111

Transponder key for full or partial system actuation and deactivation.

Software for remote control

HI-CONNECT cod. SW2400111

Software for computerized local programming and remote control of the MP120 control unit.

MODEM cod. CT3900113

External modem to connect to PC for telemonitoring functions.



MP120M / MP120MTG



2° level



KP100D



2° level



DK2000M



2° level



DK20



2° level



DK3000M + DK30



WIRE ALARM SYSTEMS

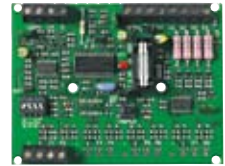
MP120 SYSTEM: FROM 8 UP TO 56 INPUTS

Expansions

ES100 cod. MP7310111

8 serial input extension unit

- Expansion from 8 alarm zones, Takes a BUS on output for connecting the interface modules which can be placed inside the detectors (UR1Z) and capable of taking back to the control unit the alarm and tamper information for every detector.
- Inputs of parallel expansions are programmable as instantaneous or delayed and they can be memorized, excluded and associated to the managed sectors.
- The expansions are connected through dedicated serial line



ES100

EP100 cod. MP7210111

8 parallel input extension unit

- Allows traditional detector connection (parallel).
- Inputs of expansions are programmable as instantaneous or delayed and they can be memorized, excluded and associated to the managed sectors.
- The expansions are connected through dedicated serial line



EP100

UR1Z cod. MP6110111

Serial interface module for ES100.

- It can be placed inside the detectors



2° level

Accessories

SV108 cod. CT3210111

Vocal synthesis module

KV 100 cod. CT3410111

Voice synthesis kit consisting of microphone and speaker

ILT100 cod. CT4210111

Modulo di interfaccia alla linea telefonica.

IT USB cod. MP9H10111

interface module for connecting the communicator (for MP110 control unit only) to the telephone line

MR 02 cod. MP7910111

2 relais module for TTL o OPEN COLLECTOR NH/NL electrical outputs

IV 4Z cod. MP9610111

Interface board equipped with 4 storable alarms inputs and 4 electric outputs, one for each input. The board transforms the fast signals coming from equipment such as vibrators, shutter sensors, etc into signals manageable by alarm control unit



IV4Z



WIRE ALARM SYSTEMS

MP508 SYSTEM



WIRE ALARM SYSTEMS

MP508 SYSTEM: FROM 8 UP TO 64 INPUTS

THE INTERACTIVE, MULTIMEDIA AND REMOTE CONTROLLED SYSTEM

Elkron introduces MP508, the first security system of the new SIM 500 series. This system features 8 fully programmable zones (expandable up to 64), is both interactive and multimedia, and it can be fully remote controlled thanks to the unique Hi-Connect software. The system allows integration of several devices for home security and automation, like audio/video controls, safety sensors, personal emergency care, etc. MP508: state-of-the art technology for the ultimate innovation, to ensure protection beyond security.

Total Performance Ensuring Simplicity

The system performs a wide range of advanced communications, allowing to monitor and control the security either from an internet website or by any touchtone phone including the mobile phone, hearing a system status report at home or from anywhere around the world. The Elkron-developed unique Hi-Connect software makes it possible to remotely control, program (upload/download) and fully check the system, and allows the additional feature to store/backup the entire system programming into a USB key. Moreover, the on-site system programming, including the set-up and test of all the peripherals, is autonomously and easily done by the control panel without the need of further operations on the single devices. This simplifies installation and maintenance, saving time and money.

High System Flexibility

In addition to its simplicity to install and set-up, the new MP508 system is very fast and flexible – two outstanding strengths. The 8 input zones (which can be expanded up to 64) make the system perfectly suitable for small to medium premises, whereas the possibility to integrate up to 4 video cameras allows the most advanced performances of alarm verification and video surveillance. The “speak-and-listen” performances of the keypads allows the system to activate a communication and make the “environment monitoring” by remote, listening what’s going on in the protected area, or to give the possibility to start an indoor/outdoor voice communication.

Tailored Features for Outstanding Security

The new MP508 system has been designed and manufactured to offer such a wide range of features that can easily adapted, or “tailored”, to satisfy most of the possible integrated security needs. In addition to the traditional intrusion detection functions, the MP508 system can perform a number of functions for security that’s unlike anything else in its range: intrusion detection, alarm verification, video surveillance, fire detection, gas leak prevention, flooding prevention, personal emergency, rescue, etc.

Telephone/mobile phone control

Simple, full system control. Easy, practical voice menu. Immediate identification, in case of phone calls, of the area concerned by the alarm signal. The environment listening function can also be activated with the “speak-and-listen” keyboards.

Hi-connect remote control software

Control unit remote programming, check and control. Provision for transferring the programming to a USB key.

Web management through the pc or mobile phone

E-mailing the images of the area concerned by the alarm. Actuation of the image sending service even at the user’s request or through programming.

Connection with the security service

Through numeric protocols.

Videosurveillance function

Thanks to 4 analog video inputs for camera actuation.

Max. System capacity

- 64 inputs • 27 outputs
- 8 sectors • 4 areas
- 8 keyboards • 16 readers
- 32 codes • 32 keys
- 1000 history events

Remote control through pstn and gsm telephone networks

With provisions for sending SMS, vocal and numeric alarms.

Dmtf control management

With vocal guide, as well as management of the environment “speak-and-listen” and caller ID (caller identification) functions.

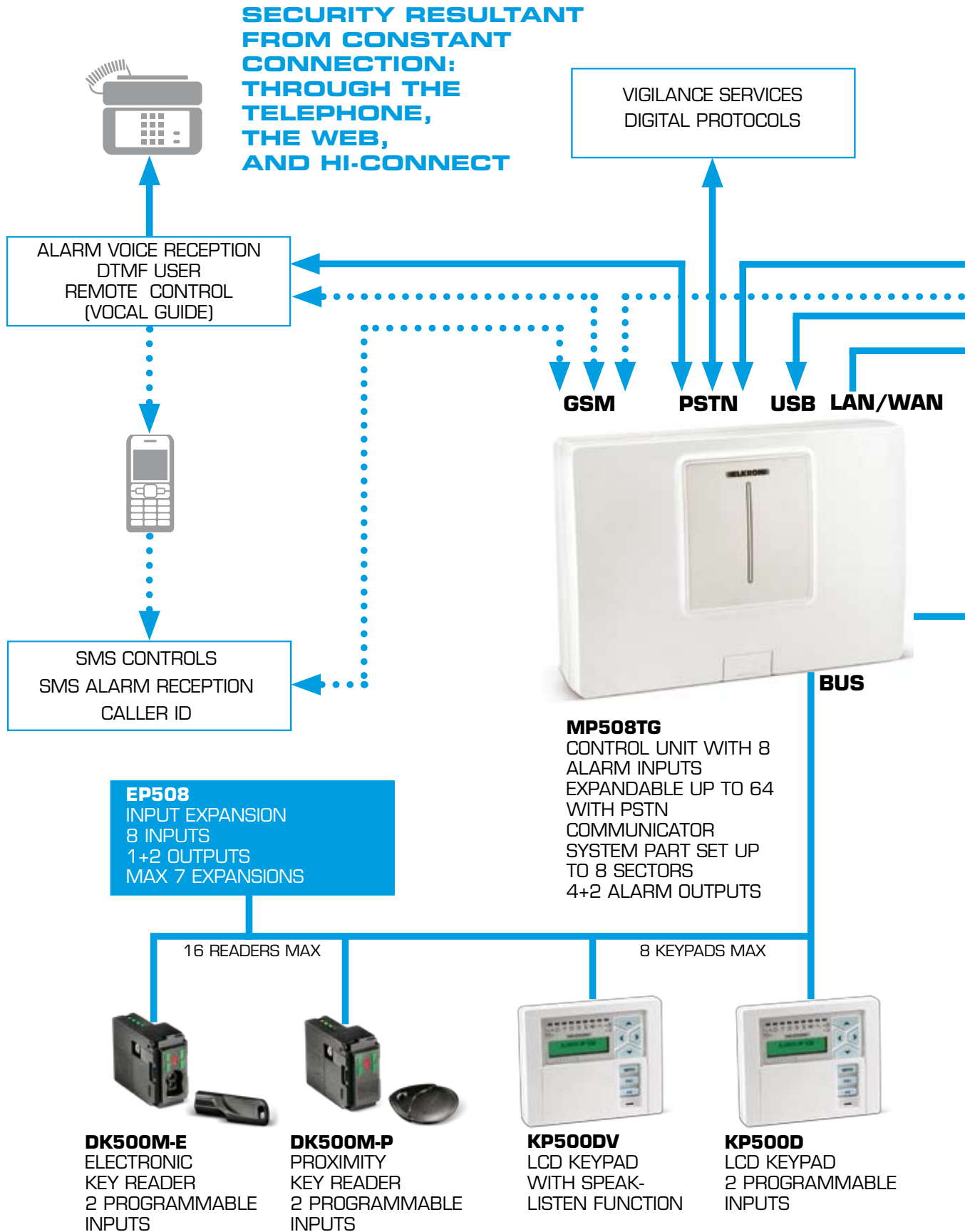
Sms control management

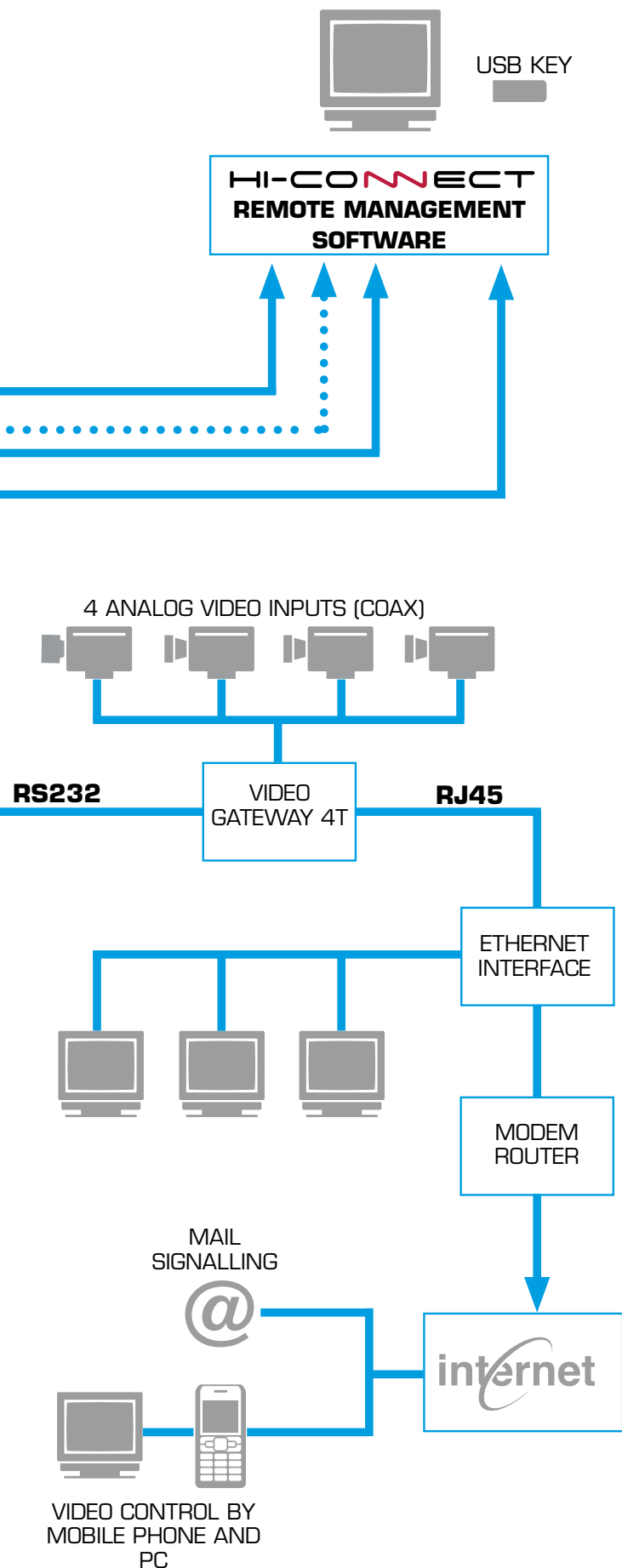
provision for activating the service by sending SMS’s.



WIRE ALARM SYSTEMS

MP508 SYSTEM: FROM 8 UP TO 64 INPUTS





MAIN CHARACTERISTICS

- **Fast system start-up:** to acquire the devices it is not necessary to set the addresses with dip-switch. It is sufficient to press their programming button and the control panel will send to the device the assigned address and the factory settings.
- **Service keypad:** it is possible to connect to the control panel a temporary service keypad, by a dedicated connector; for programming or maintenance. The service keypad can be disconnected from the system at the end of the installation, without needing to program again the control panel.
- **Advanced technological alarms:** when a "technological" event occurs, for example the flood of a room, the system can activate specific actions, as for example the water electric valve closing, and also sends the corresponding alarms. In order to manage different situations, the system is provided with three outputs management types.
- **Rescue call:** with a dedicated input it is possible to send a phone call and inform the receiver with a vocal message concerning the help request. If the system is provided with a KP500DV vocal keypad, afterwards it will be possible to call the control panel and communicate in hands-free mode with the person that issued the alarm.
- **Door opener:** it is possible to drive an electric lock with an output configured as "door opener". In this way it is possible to limit the access in specific areas only to authorized personnel. Date, time and user that requested the opening are stored in the control panel.
- **Savings on call cost:** by using the GSM telephone number identification by the control panel, it is possible to generate a command on a specific output. In this way it is possible, for example, to open the automatic gate of the vehicle entrance, by calling the control panel from the car with the mobile and hanging up after the first 3-4 rings, without entering the code.
- **Wide input configuration capability:** every single input can be configured according to type (seven) and configuration (twenty). Every single input of control panel, keypad, expansion, reader, can also manage Elkron VSD3 and MMZO1 inertial detectors and Elkron MFO1 and MFO2 rolling shutter detectors.
- **Vocal help for remote management:** the system helps the user in the telephone management with vocal messages.
- **Service messages playback:** capability to give the user diagnostic information with vocal hands-free messages from the vocal keypad.
- **Video function:** with a video gateway connected to the MP508TG control panel it is also possible to examine the images of four analogic cameras. Images recording, activated by the selected system events, can be sent to PC, mobiles, smartphone, etc, with e-mail.
- **Advanced alarm vocal calls:** capability to send vocal calls with a specific message for single partitions and/or inputs.
- **Automatic functions:** with a time programmer embedded in the control panel, it is possible to set a weekly list of automatic commands. Commands types can be ACTIVATE or DEACTIVATE and can be used, for example, for a garden irrigation system or a boiler for heating. Besides the above mentioned functions, that can be defined as service functions, it is also possible to manage automatically the alarm system arming or disarming, or set time bands in which a specific code or key are not enabled. For example, during holidays the domestic help key or code is disabled.

WIRE ALARM SYSTEMS

MP508 SYSTEM: FROM 8 UP TO 64 INPUTS

Alarm control units

MP508TG cod. MP4K00211

Expandable Control panel (64 inputs max) with integrated telephone communicator, Remotely controlled via internet, Remote video control, Video warning as a result of alarms

- 8 programmable inputs + 1 sabotage input, basic; expandable up to 64
- 6 programmable outputs (2 relays + 4 OC), basic; expandable up to 27
- System part set into 8 partitions
- Management of 32 user codes (from 4 to 6 digits) and 32 keys (electronic DK30 or proximity DK50)
- History file storing 1000 events
- Weekly time programmer, 8 daily controls
- 1 field bus for the connection of: max. 8 display keypads, max. 7 expansions, max. 16 key readers
- Direct connection for service keypad
- Telephone transmission on 12 telephone no., through numerical protocols and/or modem.
- Voice synthesis interface: factory recorded messages for each system input/partition/event, sound BUS for voice functions and ambient listening through keypad (KP500DV), auxiliary voice guide for DTMF remote controls.
- GSM interface with antenna which can be allocated inside the control panel
- TCP/ IP interface for control panel connection with LAN or ADSL modem.
- Web video 4T interface (up to 4 video cameras) for connection with LAN or ADSL modem.
- USB interface for connection with local programming PC
- USB pen drive interface (standard type) to save and retrieve system programming
- HI CONNECT software application for programming and remote management (compatible with Windows Vista ®)
- In compliance with EN 50131 -1
- Rhos compliant
- Allocable battery : 12 Vdc - 7 Ah
- Switching Power supply : 1.5 A
- Dimensions (H x W x D): 238 x 340 x 90 mm



MP508TG

MP508M/TG cod. MP8K00211

Like MP508TG but with metal container.

- Like MP508TG but with metal container.
- Allocable battery : 12 Vdc - 17 Ah
- Switching Power supply : 4 A
- Dimensions (H x W x D): 350 x 490 x 145 mm
- External antenna for GSM module to be fastened on container top rim



MP508M/TG



WIRE ALARM SYSTEMS

MP508 SYSTEM: FROM 8 UP TO 64 INPUTS

Control Items

KP500D cod. KP6000211

Remote keypad with LCD alphanumerical display with 2 lines for 16 characters.

- Back light, contrast and buzzer, adjustable.
- 3 alarm control keys.
- User menu access with closed lid.
- 2 alarm inputs.
- Dimensions (H x W x D): 140 x 115 x 28 mm.



KP500D

KP500DV cod. KP6100211

Like KP500D, but with:

- Connection with sound BUS (as an alternative for 2 alarm inputs).
- Integrated microphone and loudspeaker.
- Emission of recall voice messages.
- Recording listening of alarm voice messages.
- Remote ambient speaking/listening.



KP500DV

DK500M-E cod. DK5000211

Electronic key reader (mod. DK50)

- 5 LEDs: 4 LEDs to view system state + 1 alarm memory
- 2 inputs onboard, programmable
- Compatible with whole range of Elkron civil electric line adapters.
- Available in white color version DK500M-E/B cod. DK5100211



DK500M-E

DK50 cod. DK5400211

Digital electronic key with univocal code (over 1099 billions of possible combinations)

- ABS material
- Possibility to customize (Kit DK30 50)



DK50

DK500M-P cod. DK5200211

Proximity key reader (mod. DK30)

- 5 LEDs: 4 LEDs to view system state + 1 alarm memory
- 2 inputs onboard, programmable
- Available in white color version DK500M-P/B cod. DK5300211



DK500M-P

DK30 cod. DK3500111

Proximity key 125 KHz (more than 281.000 billion of combinations)

- ABS material
- Degree of protection IP68 - IK08.
- Possibility to customize (Kit DK30 50)



DK30

KIT DK30-50 cod. KT9410111

Color inserts to be fitted on DK50/DK30 keys for their customization



WIRE ALARM SYSTEMS

MP508 SYSTEM: FROM 8 UP TO 64 INPUTS

Expansion

EP508 cod. MP7K00211

Parallel expansion which can be connected with system BUS where it is possible to connect traditional devices

- 8 inputs + 1 sabotage, programmable
- 3 outputs (1 relay + 2 electric), programmable



EP508

Accessories

SV500I cod. CT5610111

Voice synthesis board which can be connected with the control panel through the suitable connector (headphones provided)

- Factory recorded messages for each system input/partition/event
- Sound BUS for voice functions and ambient listening through keypad (KP500DV)
- Auxiliary voice guide for DTMF remote controls



SV500I

IMG500 cod. CT5510111

BI-BAND GSM module (900/1800 MHz)

- IMG500 is the interface allowing to connect the MP508TG and MP508M/TG control panel to the GSM network, for sending of alarm signalling and reception of remote commands. The interface is provided with a dual-band GSM transmitter/receiver (900/1800 MHz) and with an antenna to be installed in the control panel. If the control panel position does not ensure for the GSM module a sufficient field strength, it is possible to use the GSM 1 antenna (not provided). If the GSM module is used with the MP508M/TG metal control panel, it is necessary to replace the provided antenna with the GSM 2 antenna used in case of metal housing or to use GSM 1 antenna (both are not provided).



IMG500

IT USB cod. MP9H10111

USB interface.

- IT-USB interface allows to connect a computer to the MP508TG or MP508M/TG control panel for control panel programming.

IT USB/KEY cod. MP5K10111

USB interface for connection to PC and to USB IT-USB/KEY keys.

- The IT-USB/KEY interface allows to connect a computer to the MP508TG or MP508M/TG control panel for control panel programming and a USB key (Pen Drive) for save and restore of the whole system programming.



ITUSB

CAVO X KP cod. CV3010111

- The cable for service keypad is used to connect the control panel to the service keypad (KP500D or KP500DV, as you like), in order to carry out the system programming. The cable is provided with a connector compatible with the SERVICE connector of the MP508TG or MP508M/TG control panel motherboard.

MODEM cod. CT3900113

External modem to be connected with the PC for remote management.

MODEM/ROUTER cod. CT5200111

External modem/router suitable for gateway video applications



WIRE ALARM SYSTEMS

MP508 SYSTEM: FROM 8 UP TO 64 INPUTS

Accessories

HI-CONNECT cod. SW2400111

- Software for ELKRON control panel configuration, user friendly and easy to understand, working in Windows™ operating environment. Through this software it is possible to record and classify clients, systems and operators. In addition, it is possible to remotely program alarm control panels, acquire the resident configuration, check it, change it and then load it again in the control panel (up/downloading), acquire the system event memory, check in real time the system state, the input and output state, the battery and fuse state. Integrated function for technical alarm reception (modem needed).

VIDEO GATEWAY 4T cod. VDO800111

Video module with 4 inputs for analogue video cameras

- The Video gateway is used to include in the system up to 4 analogic cameras, whose images can be seen in real time, or recorded and then examined on PC, mobile and other devices (attached to e-mail sent by the gateway).
- The images recording is activated by the selected system events (intrusion, time commands, remote commands etc.). Images resolution is 640 x 480 pixel max. For connection to Internet is available an Ethernet connector, that allows to connect the video gateway to a LAN network or a modem or an ADSL router. The video gateway is connected to the MP508TG or MP508M/TG control panel with a dedicated interface.
- The connection of the Video gateway to the control panel is alternative to the connection of the Ethernet interface.
- Dimensions (H x W x D) 238 x 340 x 90 mm.



VIDEO GATEWAY 4T

INTERFACCIA ETHERNET cod. IT1200111

Interface which can be connected with the control panel

- Interface which can be connected with the control panel set for the connection with LAN or ADSL modem (not provided. System management through HI CONNECT software application).

ANTENNA GSM 1 cod. ANO300111

Remote antenna

- GSM 1 remote antenna is provided with bracket, screw anchors for wall mounting and 5 m of cable assembly with SMA-M connector compatible with GSM IMG500 module. It is useful when the control panel position does not ensure for the GSM module a sufficient field strength.

ANTENNA GSM 2 cod. ANO400111

Remote antenna for metal housing

- Antenna for metal housing with SMA-M connector compatible with the GSM IMG500 module. It must be used with the IMG500 module in the MP508M/TG control panel with metal housing.



WIRE ALARM SYSTEMS

MP200 SYSTEM

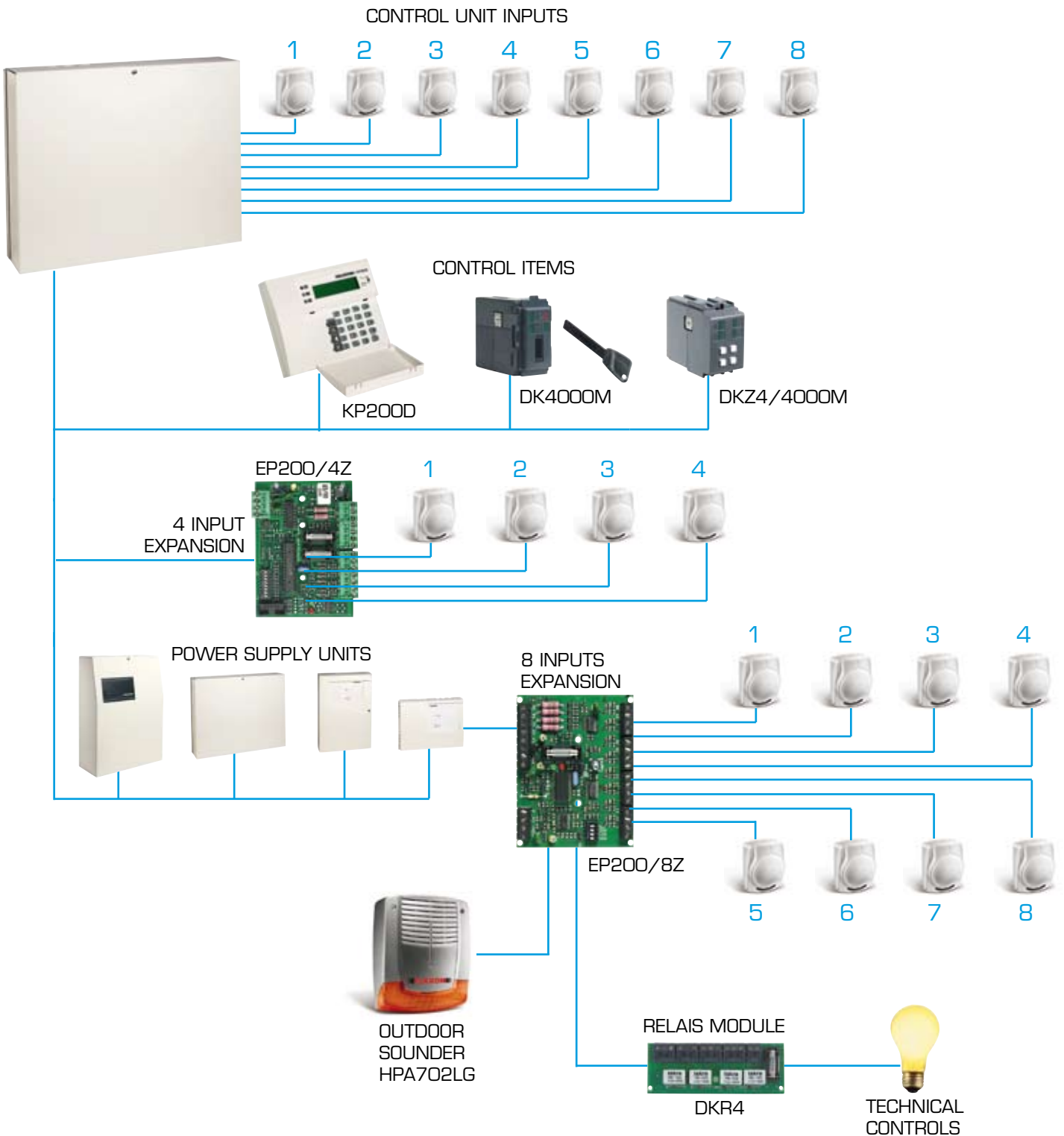


WIRE ALARM SYSTEMS

MP200 SYSTEM: FROM 8 UP TO 256 INPUTS

MULTI-FUNCTIONAL AND MULTI-USER REMOTE MANAGEABLE SYSTEM

A family of control units with 8 base zones, expandable up to 64 or until 256 with part set up to 12 groups. Here is the Elcron MP200 system for extended installation systems. In fact, the control units MP200 are expandable on serial line and have a complete range of common devices and for the plant management. The system is totally Remote manageable thanks to the keypad with LCD display, optic-digital key reader on the serial line and access with electronic mechanical key. The weekly date-time scheduler on monthly and annual base, permits the automatic enabling and deactivation of sectors. The hour calendar, instead, allows a complete recording of chronological event log of 300 or 1000. The use of the modem communicator permits remote Tele-management, while RS232 door offers Tele-management and local programming. MP200 is really a complete system, endowed with telephonic transmission with vocal synthesis, and it can also be used by up to 24 key readers, 12 partialisers and 24 remote keypads.



WIRE ALARM SYSTEMS

MP200 SYSTEM: FROM 8 UP TO 256 INPUTS

EASY TO USE

The guided menu on the keypad display allows an easy use with regard to the system programming and management. The clear writing of the name of the single zones (e.g. IR WAREHOUSE) , single codes and/or keys (e.g. JOHN DOE) and single sectors (e.g. OFFICE AREA) enables the final user to identify quickly and univocally the alarm or operation to be carried out.

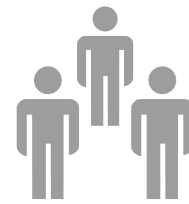
MULTIFUNCTION

The zones and outputs are individually programmable to manage alarms or different conditions such as theft, 24H theft, tamper, robbery, fire, technical alarm, technical control, social alarm, On-Off, failure and other functions.



MULTI USER

Possibility of action at the same time from different key readers and/or different keypads. Management of sub-systems (separated plants) with one control unit, each of which can be in turn subdivided into one or more sector.



REMOTE MANAGEMENT

Through the Personal Computer and the Fast-Link Telemangement software the engineer can remotely program and check the different systems installed through transmission (modem) on telephone line. All programming data can be loaded and unloaded, zones can be bypassed and reentered, output and battery tests can be made, the situation of the plant status and of the event log can be requested, output and battery tests can be made , etc.



ALARM TRANSMISSION

The MP200 system can transmit alarm conditions on telephone line programmable in three different ways: via modem to a centre equipped with personal computer and Fast-Link software; with DTMF numeric protocol (chosen among the various available on the board); to a telemonitoring centre with messages recordable in voice synthesis. In the modem and numeric transmission (for those protocols allowing it) the data transfer to the receiving centre requires the "point-point" information, i.e. relevant to every single alarmed zone.



MODEM - COMMUNICATOR STM200

Module for alarm telephone transmission, for remote control and for system remote programming.

CLOCK CALENDAR AND TELEPHONE PROGRAMMER

The MP200 system is provided with calendar clock for the chronological classification of the events and the control of the time programmer. This programmer offers a high management flexibility through different and fully programmable daily and weekly timetables. In addition to the antitheft system arming/disarming, it can be associated to other functions, such as technical control.



WIRE ALARM SYSTEMS

MP200 SYSTEM: FROM 8 UP TO 256 INPUTS

Alarm control units

MP200/64 cod. MP6300111

Expandable (up to 64 zones) microprocessor based high security system

- Microprocessor based control unit provided with 8 zones, expandable up to 64 using two kind of expandable cards: 4 zone input/3 outputs and 8 zones input/6 outputs
- Fully programmable zones, as immediate, timed, final door, panic, technical, social alarm, pre-alarm
- Programmable part set up to 12 groups.
- Single and double input balancing
- Fully programmable facilities: AND facility, COURTESY LIGHT facility, PRESENCE SIMULATION facility, CHIME facility
- Up to 16 remote keypads: LCD message keypads with backlight
- Plain language display of system conditions and messages, plain language instructions for system operations.
- Up to 16 integrated optical key readers and up to 8 partialiser for full ON/OFF system control by optical key
- Access control function through DK40 optical keys
- Clock calendar function.
- Timer programmer for various events, such as group ON/OFF, access control, patrol passage, technology output switching
- Up to two independent RS485 serial bus lines for system expander control
- One built-in RS232 serial port for local PC or printer connection
- Plug on modem/digital communicator and speech dialler
- System locally programmable from a PC over RS232 line or remotely programmable via modem (in option) over telephone line: data uploading and downloading through a dedicated software running under WINDOWS
- Allocable battery: 12Vdc - 18Ah.
- Power supply: 2,8 Ah.
- Dimensions (H x W x D): 318 x 422 x 91 mm.



MP200/64

MP200/64-OM cod. MP6200211

As above but in larger case suitable for a 12 V - 27 Ah battery

- Dimensions (H x W x D): 447 x 324 x 148 mm.



MP200/64-OM

MP200/256 cod. MP6500211

As above with the following differences:

- Expandable up to 256 zones.
- Programmable part set up to 24 groups.
- Up to 24 remote keypads.
- Up to 24 integrated optical key readers and up 16 partialisers.
- Up to three independent RS485 serial bus lines for system expanders control.



2° level

MP200/256-OM cod. MP6500211

As above but in larger case suitable for a 12 V - 27 Ah battery

- Dimensions (H x W x D): 447 x 324 x 148 mm.



WIRE ALARM SYSTEMS

MP200 SYSTEM: FROM 8 UP TO 256 INPUTS

Control Items

KP200D/I cod. KP2700211

Backlit remote keypad with 16 digit LCD display for clear message visualisation

- Integrated backlight LCD display, incorporated buzzer.
- The device is used to programme and control the system, to which they may be partially or totally associated (control and management of one or more sectors).
- Dimensions (H x W x D): 140 x 115 x 28 mm.



KP200D



2° level

DK4000M cod. DK2100211

Reader for opto-digital key.

- These are devices for optical/digital reading and decoding of DK 40 digital keys. They are used for activating/deactivating relevant sectors each time a recognised optical key is introduced. They are fitted with 4 LEDs for signalling specific system events.
- They are addressed by rotary switches
- It is available in White color version with code DK4000M/B.



DK4000M



3° level

DK40 cod. DK0100211

Opto-digital key (patented)

DKZ4/4000M cod. DK2600211

4 Inputs splitter.

- These devices work in association with DK 4000M readers and are used for partial activation/deactivation of associated sectors.
- They fit 4 keys, each of which is associated to a system sector, and 4 LEDs for signalling sector status
- They are addressed by rotary switches
- It is available in White color version with code DKZ4/4000M/B.



DK40



3° level



DKZ4/4000M/B



3° level

EP200/4Z cod. MP6700111

I/O modules for connection on RS485 serial lines, providing 4 zones and 3 outputs (1 relay and 2 electric)

- All zones and outputs may individually programmed as is the case with the control unit. Concentrators are connected via an RS485 serial line and acknowledged via a programmable dip-switch address.
- The equipment is supplied in modules and is suitable for a range of locations: in special cases (CP8Z), in the back-up supply units or even in the control unit case.
- A direct interface connector to the back-up supply units uses a serial BUS line to convey trouble-shooting information (power failure, low battery, error) to the control unit.



EP200/4Z



EP200/8Z



2° level

EP200/8Z cod. MP6700111

Same as EP200/4Z but with 8 inputs and 6 outputs (2 relais and 4 electric)

- The 4 electric outputs present on the EP200/8Z may become relay outputs by installing a DKR4 module with direct coupling connectors.



WIRE ALARM SYSTEMS

MP200 SYSTEM: FROM 8 UP TO 256 INPUTS

Communication

FAST LINK cod. SW1300111

Software for Data uploading and downloading

- Data uploading and downloading through a dedicated easy-to-use, user-friendly running over Windows. The same software is already in use for remote management of other Elkron Systems. This software permits to record and classify customers, systems and operators. It also permits the following: remote control panel programming, control panel program downloading, program verification and editing, program uploading to control panel, system event log downloading, real time checking of system, input, output, battery and fuse status.

MODEM cod. CT3900113

External modem to connect to PC for telemonitoring functions

STM200 cod. CT4110211

Modem Communicator

- Telephone alarm transmission board for remote management and remote programming of the system.

Accessories

DKR4 cod. DK0900211

Relay circuit.

- 4-relay circuit with quick connector coupling. Can be used with EP200/8z, DK41S.

IT485 cod. MP9110211

Serial interface

- RS485 serial interface for connecting remote keypads and/or commutators and partialising devices.

SV108 cod. CT3210111

Vocal synthesis module

KV 100 cod. CT3410111

Voice synthesis kit consisting of microphone and speaker

IV 4Z cod. MP9610111

Interface board equipped with 4 storable alarms inputs and 4 electric outputs, one for each input. The board transforms the fast signals coming from equipment such as vibrators, shutter sensors, etc into signals manageable by alarm control unit.





WIRELESS ALARM SYSTEM

WL31pag. 52

WL20pag. 60



WIRELESS ALARM SYSTEM

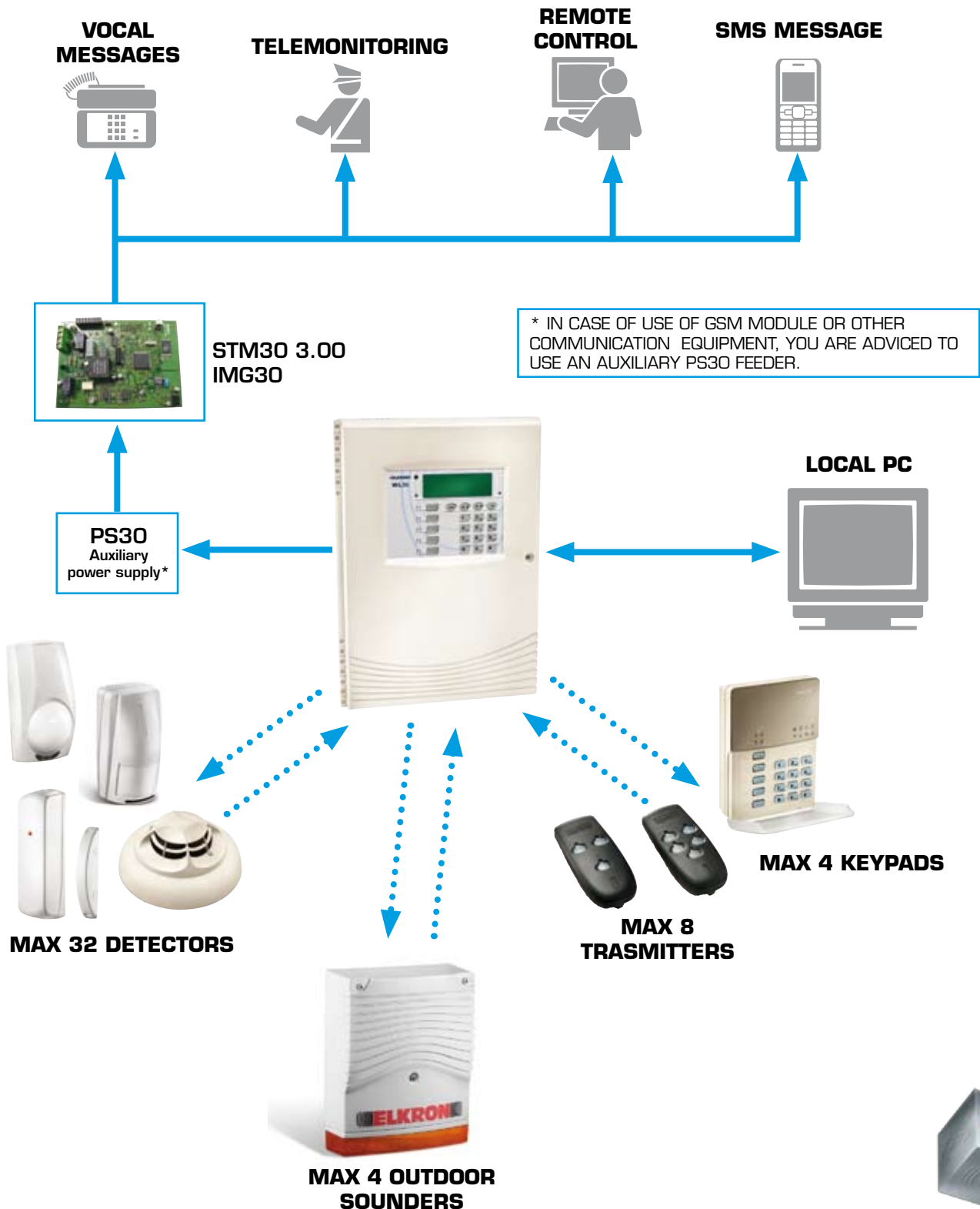
**WL31 TWO-WAY
WIRELESS SYSTEM**



WIRELESS ALARM SYSTEM

WL31 WIRELESS SYSTEM

WL31 is an evolutionary total two-way wireless communication system. Thanks to Reply Technology®, developed by ELKRON, all devices in the system are transceivers that constantly interface with the alarm unit to verify correct communication status. The exclusive, sophisticated protocol (synchronous, GSM type) ensures maximum security of communication under all conditions. All devices, including the alarm unit, are powered by long-life lithium batteries to ensure maximum autonomy. The system is therefore immune from interferences, power blackouts and can even work in locations where electrical power is not available.



WIRELESS ALARM SYSTEM

WL31 WIRELESS SYSTEM

INNOVATION IN COMMUNICATIONS AND PROTOCOLS

Each system device is provided with an intelligent radio module based on a transceiver with frequency synthesis, miniaturised and among the most sophisticated ones in the world. The module manages all circuits, including RTC (Real Time Clock), modem and antenna, which communicates towards the other apparatuses. The use of frequency band, channels, protocol, as well as any other aspect of communication are managed by the exclusive software which is the core of Reply Technology®.

Two-way radio communication is in narrow band frequency modulation (FSK-NB), splitting the 434 MHz band into a number of selectable channels in order to dynamically use those ones which are less susceptible to interferences, as well as, in general, less noisy. The choice of channels during installation or maintenance steps is very simple and completely automatic, by quickly sweeping the band and choosing unused or less jammed channels.

WL31 system uses a synchronous type communication protocol akin to the one of GSM networks and provided with a developed communication encoding system. A so high communication protection level against simulations and intelligent sabotages results, that WL31 system can also be used in medium to high safety systems. The structural versatility of this protocol also allows for even later extending the range of peripheral units: remote keyboards, outdoors detectors, etc. The innovative features of Reply Technology® and its exclusive protocol provide the control and peripheral units of WL31 system with high radio range and high communication reliability.



RADIO COMMUNICATION

- Thanks to Reply Technology®, all devices communicate bidirectionally
- Transmission in 434 MHz band, with FSK-NB modulation
- Very high immunity to interferences and jams
- Band split into selectable channels
- Self-test checking radio coverage for each channel, with choice of the most suitable channels
- Supervision with programmable time
- Anti-jamming protection
- Radio range over 300 m in free air
- Synchronous protocol with communication protection and authentication:
 - dynamic protocol;
 - protocol variable in time;
 - authentication with 64 bit symmetrical double key (that can be deactivated);
 - crack proof protocol;
 - code reproduction (playback) proof protocol.
- With system/sector (TC radio) on, detectors remain in standby condition:
 - Detectors do not transmit and consequently do not consume without use;
 - Detectors need no timed block after detection.



EXCLUSIVITY

Devices sequential acquisition: after pre-arranging the control unit, just close each tamper contact at a time of those devices which must be entered into the system. Acquisition occurrence will be confirmed by the control unit through acoustic and visual signalling from LCD. Each acquired device, depending on its own typology, receives its own functional and protocol parameters via radio from the control unit. So, at acquisition procedure termination, system immediate use is available.

New tool checking radio communication (Patent Pending): after placing all devices to desired position, the efficiency of radio communication with control unit can be checked in each device.

During the procedure, the system operates with radio signal power intentionally reduced: therefore, check outcome positive in such conditions will assure that with nominal power maximum communication effectiveness is achieved.

WIRELESS ALARM SYSTEM

WL31 WIRELESS SYSTEM

SYSTEM CAPACITY AND STRUCTURE

- WL31 control unit
- Infrared detectors via radio IR30WL/IR31WL
- MM30WL magnetic contact detectors via radio, further provided with two inputs for external auxiliary detectors that are also addressed as single detectors and can be programmed and named in plain language.
- FO31WL smoke optical detectors
- HP30WL outdoors sirens via radio
- TX30WL / TX31WL remote controls via radio (versions with 3 or 5 keys/Led)
- All apparatuses are supplied by lithium batteries.

System maximum capacity:

- Up to 32 detectors via radio, including IR30WL, IR31WL, FO31WL and MM30WL
- Up to 96 detectors which can be identified as single detectors where all MM30WL detectors with auxiliary inputs are used (one contact plus 2 inputs each)
- Up to 8 remote controls
- Up to 4 external sirens
- System divisible into 4 sectors that can be freely programmed and named in plain language.

FUNCTIONALITY

- Multifunctional control unit separately managing theft, fire, technological events
- Intuitive and tree-structured menus for programming from keyboard in different selectable languages
- System divisible into 4 sectors that can be freely programmed and associated to inputs/outputs
- Up to 18 access codes with max 6 digits each
- Historical memory with max 500 event capacity
- Time-table programmer
- Peripheral devices sequential self-acquisition
- System self-configuration
- Maximum flexibility in associating inputs, outputs and sectors
- Capability to name inputs, outputs, sectors, codes and remote controls "in plain language"
- Capability to program all system peripheral devices via radio allowing for modifying the technical parameters of each peripheral device by operating:
 - on control unit keyboard via special menu;
 - on remote PC via special ELKRON application software (unlike one-way systems where programming is to be made aboard each device).
- Various possibilities of signalling alarms via: internal siren, external HP30WL sirens. PSTN communicator (STM30), GSM communicator (IMG30).

WIRELESS ALARM SYSTEM

WL31 WIRELESS SYSTEM

Alarm Control Unit

WL31 cod. WLO100211

Wireless control unit with two-way communication.

- It manages burglar, fire and system failure events separately.
- Up to 4 freely programmable partitions which can be associated to inputs and outputs.
- Up to 18 access codes (up to 6 digits long).
- Event log capable of storing up to 500 events.
- Programmable timer.
- Sequential self-acquisition of peripherals devices.
- System self-configuration.
- Optional communicator modules (PSTN and GSM) for:
 - remote system management using special
 - ELKRON modules, various alarm
 - transmission methods:
 - voice, numeric protocols, modem, SMS messages.
- Built-in keypad and LCD: 21 backlit buttons (2 line x 16 alphanumeric characters). Inputs, outputs, sectors, codes and remote control can be named by the user.
- Wired inputs and outputs: 2 PGM relay outputs, 2 PGM wired inputs.
- I/O serial port for PC connection; it can be equipped with: RS232 serial module, USB "slave" serial module.
- Optional memory card connection for system data backup to removable medium.
- High intensity internal siren with programmable functions.
- Cabinet tamper for opening and removal.
- Two 3.6V high capacity lithium thionyl chloride batteries (included) with smart energy management function.
- Auxiliary main power option (PS30).
- Radio coverage: up to 500 m line of sight
- Dimensions (H x W x D): 345 x 240 x 79 mm.



WL31 / WL31TG



2° level

WL31TG cod. WLO200211

- Same as WL31 but with built-in communicator module: PSTN, numeric protocols and voice synthesys.

Control Units

TX31WL/5 cod. TX3500211

Fully programmable five-button remote control

- Remote control with 5 keys and relating two-colour LEDS, totally managed by a microprocessor. All the operations associated with the keys (up to two per key) and with the LEDS can be programmed from the WL31 control panel. Each key can also be personalised through coloured labels to make the choice of the associated control easier and the two-colour LEDS supply a direct visual answer to the controls. When it is acquired by the control panel, it is configured with pre-set parameters.
- The radio range is approx. 150 meters in open air and the communications with the WL31 control panel are done using the Reply Technology®. Power is supplied by one 3V long lasting lithium battery which can be replaced by the user.



TX31WL/5



2° level



WIRELESS ALARM SYSTEM

WL31 WIRELESS SYSTEM

Control Units

KP30WL cod. KP3700211

ABS backlit bidirectional wireless keypad

- KP30WL is a keyboard for internal areas, totally managed by a microprocessor, which is equipped with 11 light signals, 12 alphanumeric keys and 5 "Function" keys for direct controls. These can be personalized with labels to make easier and evident the choice of the allocated control. All these keyboard elements can be radio programmed from the control panel.
- Signals are: controls, alterations, damages, system status, open and excluded inputs, maintenance and remote management operations.
- The radio range of the keyboard is approx. 300 meters in open air and communications with the control panel are done using the Reply Technology®.
- The keyboard is equipped with protection from opening and from removal. When it is acquired by the control panel, it is configured with pre-set parameters.
- Power is supplied by two 3V lithium batteries which under normal condition of use, enable up to about 2 years of life.
- The keyboard automatically transmits an alarm of expiring batteries. To reduce energy consumption to the minimum, the keyboard has a timed back lighting switch, through a specific twilight detector. It is automatically excluded when there is enough environmental light.
- Degree IP40 IK04.
- Dimensions (H x W x D): 138 x 106 x 35 mm.



KP30WL



2° level

Communication

STM30 cod. CT5010211

PSTN communicator module

- STM30 is an optional telephone communicator which works as interface between the control panel and the fixed telephone network (PSTN) for modem and DTMF communications, using vocal pre-recorded messages or a numeric protocol (for example ADEMC0®, IDP® etc.).
- Note: the communicator module is equipped with headphones to register/listen to the vocal messages.

IMG30 cod. CT5110111

GSM Dual Band module equipped with aerial

- IMG30 is a GSM Dual Band module, equipped with aerial, which enables you to use the mobile phone network instead of or as an integration of the fixed one, even offering the possibility to communicate via SMS messages.
- This can only be used if there is an STM30 module. SIM card is not included.

HI-CONNECT cod. SW2400111

- Software for ELKRON control panel configuration, user friendly and easy to understand, working in Windows™ operating environment. Through this software it is possible to record and classify clients, systems and operators. In addition, it is possible to remotely program alarm control panels, acquire the resident configuration, check it, change it and then load it again in the control panel (up/downloading), acquire the system event memory, check in real time the system state, the input and output state, the battery and fuse state. Integrated function for technical alarm reception (modem needed).

MODEM cod. CT3900113

External modem to be connected with the PC for remote management.



WIRELESS ALARM SYSTEM

WL31 WIRELESS SYSTEM

Detectors

IR30WL cod. IR3B00211

PIR detector, two-way wireless communication, with patented trifunctional emisferic lens.

- Three selectable coverage field: max range 18m (volumetric lens)
- Entirely microprocessor controlled
- Dual Piroelectric sensor
- Programmable pulse counter
- Programmable pulse counter
- Two-way line of sight radio coverage: up to 300 m
- Lithium battery powered (3V, included).
- Dimensions (H x W x D): 138 x 74 x 53 mm.



IR30WL



2° level

IRA31WL cod. IR5B00211

Passive infrared two-way wireless communication detector with Fresnel cylindrical lens.

- Range: 15 m with volumetric lens. Coverage: 108°.
- Entirely microprocessor-controlled.
- DUAL pyroelectric sensor.
- Programmable pulse counter.
- Diagnostic and TEST LEDs.
- Two-way line of sight radio coverage: up to 300 m
- Lithium battery powered (3V, included).
- Dimensions (H x W x D): 124 x 70 x 54 mm



IRA31WL / IRA31WL/P



2° level

IRA31WL/P cod. IR8B00211

Passive Infrared Detector with PET Immunity, two-way wireless communication and Fresnel cylindrical lens.

- Range: 15 m with volumetric lens. Coverage 108°.
- Pet immunity (35 kg max).
- Entirely microprocessor-controlled.
- DUAL pyroelectric sensor.
- Programmable pulse counter.
- Diagnostic and TEST LEDs.
- Two-way line of sight radio coverage: up to 300 m.
- Lithium battery powered (3V, included).
- Dimensions (H x W x D): 124 x 70 x 54 mm.

MM30WL cod. MM6700211

Magnetic contact, two-way wireless communication, entirely microprocessor-controlled

- Alarm and test led
- Two external auxiliary detector inputs (addressable and programmable from the alarm unit): rolling blinds detector, inertia detector, generic alarm contact
- Tamper protection for opening and removal
- Smart magnet holder: possibility to locate the magnet at 3 different positions inside the housing to compensate for misalignment of fixtures
- Two-way line of sight radio coverage: up to 500 m
- Lithium battery powered (3V, included).
- Dimensions (H x W x D): 120x30x27 mm
- Version in BROWN - MM30WL-BR cod. MM6800211



MM30WL



1° level



WIRELESS ALARM SYSTEM

WL31 WIRELESS SYSTEM

Detectors

FO31WL cod. SD4000121

Optical smoke detector, two-way radio communication, conforming to EN14604 (smoke alarm).

- It is used both in household and industrial (shops, offices, etc.) environments, thanks to its operation flexibility: self-contained by means of optic-acoustic signalling on the sensor; integrated into the WL31 system to take advantage of all the advantages of the Reply Technology® radio communication.
- Fully microprocessor-based control.
- Radio range: over 250 m
- Coverage: 40 square m
- Alarm, failure and "existence" signalling LEDs.
- Device TEST and alarm reset button.
- Integrated, high-rating buzzer (85 dB (A) @ 3 m).
- Smoke threshold self-adjustment in order to avoid improper alarms.
- Dust immunity and smoke sensitivity level adjustment.
- Powered by 2 long-life lithium/manganese dioxide batteries (3 V), type: CR123A (supplied with the unit) – Formats: CR17345 (IEC), 5018LC (ANSI)
- Dimensions: Ø = 136, h = 68 mm



FO31WL

Sounder

HP30WL cod. HP8100111

External sounder, two-way wireless communication, polycarbonate box with internal steel crushproof cage

- Entirely microprocessor controlled
- High acoustic power: 100 dB(A) at 3 m
- Sounds modes controlled by alarm unit: break-in alarm, fire alarm, system state tones
- Strobe with high efficiency LED panel indicating: alarms, tests, system state
- Tamper protection for opening and removal
- Electronics protected in plastic casing with IP44 degree of protection
- Radio coverage: up to 300 m line of sight
- Powered by two 3.6V high capacity lithium batteries (included) with smart energy management function
- Dimensions (H x W x D): 265 x 210 x 65 mm.



HP30WL

Accessories

ITUSB cod. MP9H10111

- USB interface module for the WL31 control unit connection to a local PC

MU30 cod. MU2910111

- Memory card for data system backup

KIT FISSAGGIO cod. KT4800111

- Battery fixing kit for IMG30.



WIRELESS ALARM SYSTEM

**WL20 WIRELESS
EXTENSION**

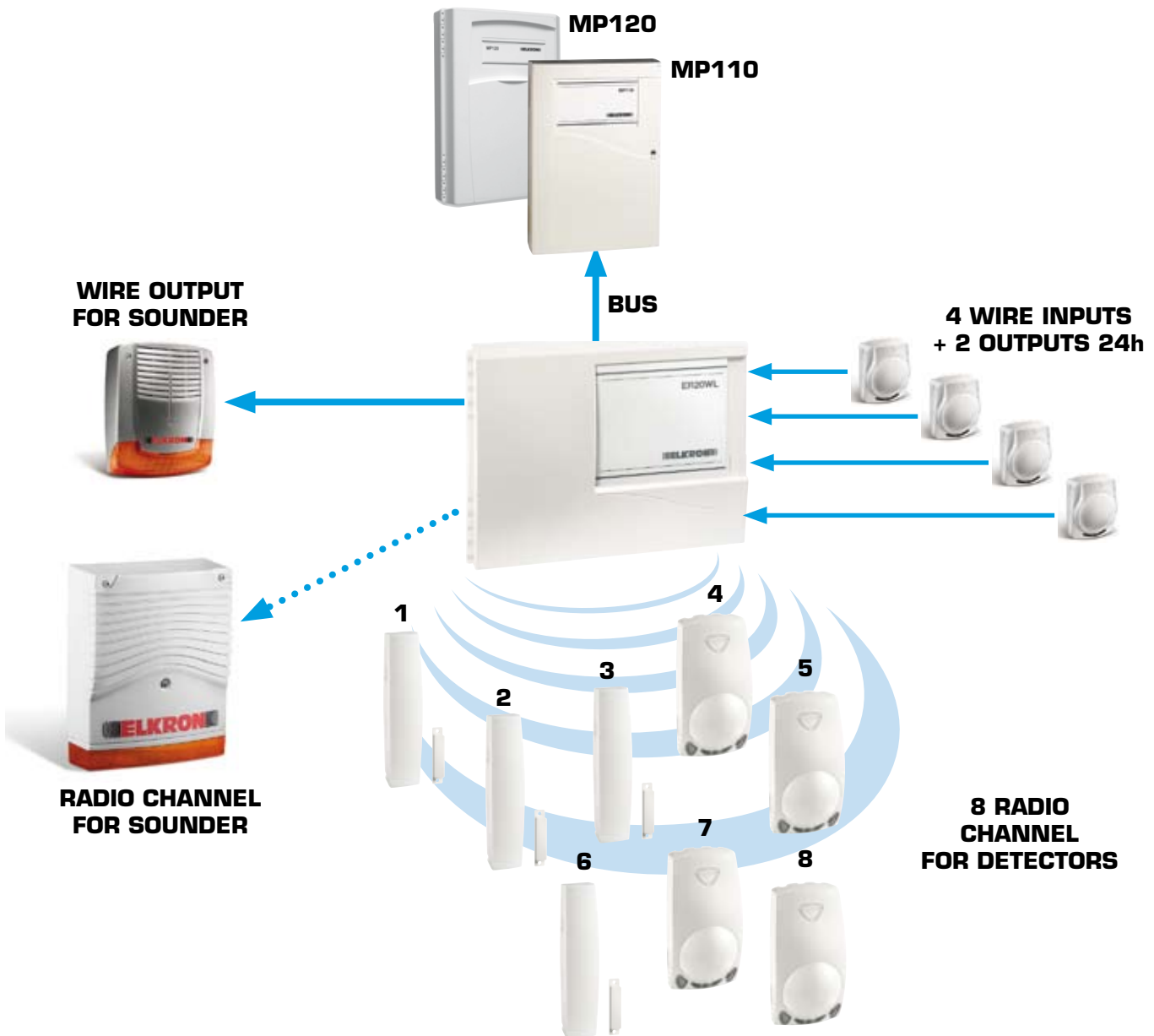


WIRELESS ALARM SYSTEM

WL20 WIRELESS EXTENSION

THE SYSTEM TO COMMUNICATE WITH AND WITHOUT WIRE

WL20 system was created to make Elcron bus systems hybrid(wire and wireless). This means that it is possible to make systems that can connect wire and wireless together. It is a significant advantage that permits to add sensors, contacts and sirens in an existing plant, without intervening on the wall to make new connections. The wireless extension is obtained by directly connecting to the control unit bus MP110, MP120 and MP200 the interface ER20WL and apart from each providing input and output wires, it can manage through radio up to 48 sensors (between infrared and contacts) plus an outdoor siren.



WIRELESS ALARM SYSTEM

WL20 WIRELESS EXTENSION

Wireless interface

ER20WL R/T cod. WL1210113

Wireless extension for hybrid systems

- The ER20WL interface works with bus control units (MP110, MP120 and MP200) acting as wire concentrators. The interface is powered by the bus, locally manages wire and radio peripherals and constantly exchanges respective status and alarm information with the control unit. Radio extension management is perfectly integrated with the rest of the system from all points of view: enabling signals, sector association, event log, remote management, etc.
- Reception radio channels: 8
- Linkable detectors: 6 for each channel
- 1 transmission radio channel for controlling HP20WL wireless sounder
- Comunicazione in FSK a due canali nella banda dei 434 MHz.
- Two-channel FSK communication in 434 MHz band
- Maximum free field range: 500 m
- Complete system supervision: every 32 minutes
- Test mode
- Diagnostic and status signals by means of LEDs and displays
- Signals provided by each radio channel: alarm, tamper, low battery, radio anomaly, supervisor not OK
- Wire inputs: 4 entirely programmable
- 24h inputs: 2
- Electric outputs: 3 entirely programmable
- Relay outputs: 1
- Dimensions (H x W x D): 138 x 74 x 53 mm.

ER20WL R cod. WL1310113

- Same as ER20WL R/T but with only reception channels (without transmission radio channel).



ER20WL R/T



WIRELESS ALARM SYSTEM

WL20 WIRELESS EXTENSION

Detectors

IR20WL cod. IR2B00113

Passive infrared radio sensor with Extravision series patented three-function lens

- Range: 18 m (volumetric lens)
15 m (curtain lens)
25 m (long range lens)
- Copertura: 90° (volumetric lens)
6° (curtain lens)
6° (long range lens)
- Sensitive zones: 20 on 3 levels + 2 / creep-zone (wide angle lens)
1 on 1 levels + 1 / creep-zone (curtain lens)
7 on 5 levels + 1 per creep-zone (long range lens)
- CREEP-ZONE detection
- Free field radio range up to 500
- Pulse counter
- Walk test
- Cut-off time: 2 min
- Opening and removal self protection
- Optional self-protected joint
- Battery charge check
- Lithium battery: 3 V – 1,3 Ah included
- Dimensions (H x L x P) : 138 x 74 x 53 mm.



IR20WL

MM20WL cod. MM4300113

Radio transmitter with opening detector for protecting accesses (doors and windows)

- Free field radio range up to 500 m
- Internal reed contact
- External contact input
- Rope contact input for rolling shutters
- Pulse counter
- Opening and removal self protection
- Battery charge check
- Lithium battery 3V - 1,3 Ah provided



MM20WL

Sounder

HP20WL cod. HP8000113

- **Wireless outdoor siren in a high-resistance polycarbonate box, with shatterproof protection cage and flasher.**
- Free field radio range up to 500 m
- Sound output: 104 dB at 3 m
- Polycarbonate box
- Shatter-proof, drill-proof steel cage
- Battery charge check
- Opening and removal self protection
- Ring count programming
- Two way radio communication
- Lithium thionyl chloride battery 7,2V - 13 Ah provided
- Dimensions (H x W x D): 265 x 210 x 65 mm.



HP20WL



