

MT7621 DATASHEET



MEDIA TEK CONFIDENTIAL
FOR Darren@mt7621.com USE ONLY

Overview

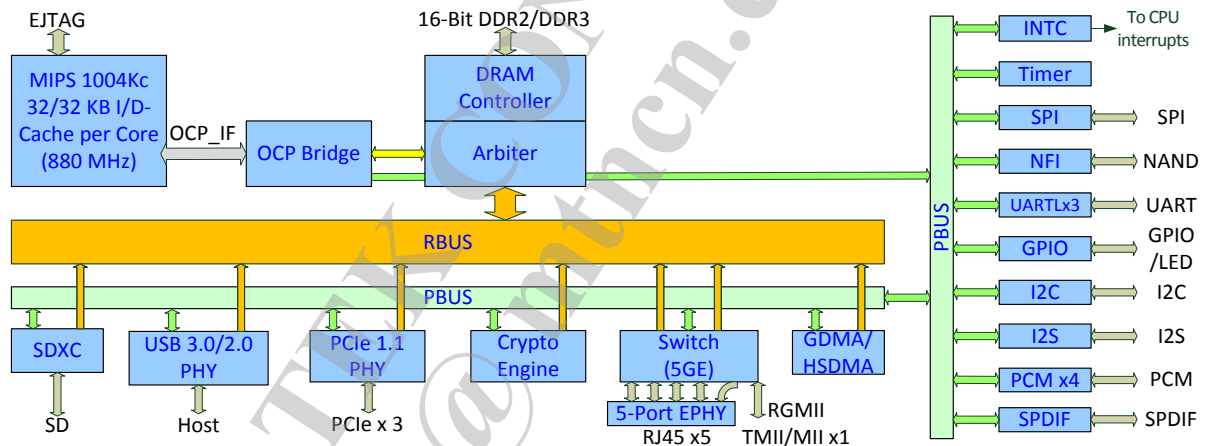
The MT7621 router-on-a-chip includes a 880 MHz MIPS® 1004Kc™ CPU dual-core, a 5-port 10/100/1000 switch/PHY and one RGMII. The embedded high performance CPU can process advanced applications effortlessly, such as routing, security and VoIP. The MT7621 also includes a selection of interfaces to support a variety of applications, such as a USB port for accessing external storage.

- Applications:
- Routers
 - NAS devices
 - iNICs
 - Dual band concurrent routers

Features

- Embedded MIPS1004Kc (880 MHz) with 32 KB I-Cache and 32 KB D-Cache for each core
- 16-bit DDR2/3 up to 256/512 Mbytes
- SPI, NAND Flash, SDXC
- 1x USB 3.0, 2x USB 2.0, 3x PCIe host
- 5-port 10/100/1000 SW/PHY and one RGMII
- Green
 - Intelligent Clock Scaling (exclusive)
 - DDRII/III: ODT off, Self-refresh mode
- I2C, I2S, SPI, PCM, UART, JTAG, MDC, MDIO, GPIO, SPDIF-TX
- Hardware NAT with IPv6 and 2 Gbps wired speed
- Firmware: Linux 2.6 SDK, eCOS with IPv6
- RGMII iNIC Driver: Linux 2.4/2.6

Functional Block Diagram



Ordering Information

Ralink Technology Corp. (Taiwan)
5F, 5 Taiyuan 1st St
Jhubei City, Hsinchu

Taiwan, R.O.C
Tel: 886-3-560-0868

Fax: 886-3-560
www.ralinktech.com

Part Number	Package (Green/RoHS Compliant)
MT7621A	TFBGA 378 ball (11.7 mm x 13.6 mm)

Table of Contents

OVERVIEW 2

FEATURES 2

FUNCTIONAL BLOCK DIAGRAM..... 2

ORDERING INFORMATION 2

TABLE OF CONTENTS..... 3

1. MAIN FEATURES 5

2. PINS 6

 2.1 TFBGA (11.7 mm x 13.6 mm) 347 BALL PACKAGE DIAGRAM 6

 2.1.1 BALL MAP (TOP VIEW) 6

 2.3 PIN DESCRIPTIONS (TFBGA)..... 7

 2.4 PIN SHARING SCHEMES 14

 2.4.1 GPIO pin share scheme 14

 2.4.2 UART pin share scheme 15

 2.4.3 RGMII pin share schemes 16

 2.4.4 WDT_RST_MODE pin share scheme 16

 2.4.5 PERST_N pin share scheme 16

 2.4.6 MDC/MDIO pin share scheme: 16

 2.4.7 NAND/SDXC/SPI pin share scheme 17

 2.4.8 xMII PHY/MAC Pin Mapping 20

 2.5 BOOTSTRAPPING PINS DESCRIPTION 21

3. MAXIMUM RATINGS AND OPERATING CONDITIONS 22

 3.1 ABSOLUTE MAXIMUM RATINGS 22

 3.2 MAXIMUM TEMPERATURES 22

 3.3 OPERATING CONDITIONS 22

 3.4 THERMAL CHARACTERISTICS 22

 3.5 STORAGE CONDITIONS 23

 3.6 EXTERNAL XTAL SPECIFICATION 23

 3.7 DC ELECTRICAL CHARACTERISTICS (TBU) 23

 3.8 AC ELECTRICAL CHARACTERISTICS 24

 3.8.1 DDR SDRAM Interface 24

 3.8.2 RGMII Interface 26

 3.8.3 MII Interface (25 Mhz) 27

 3.8.4 RvMII Interface (PHY Mode MII Timing) (25 Mhz) 28

 3.8.5 SPI Interface 29

 3.8.6 I²S Interface 30

 3.8.7 PCM Interface 31

 3.8.8 I2C Interface 31

 3.8.9 SDIO Interface 32

 3.8.10 NAND Flash Interface (Samsung Compatibel Device) 33

 3.8.11 Power On Sequence 36

 3.9 PACKAGE PHYSICAL DIMENSIONS 37

 3.9.1 TFBGA (11.7 mm x 13.6 mm) 387 balls 37

 3.9.2 Package Diagram Key 37

 3.9.3 MT7621 N/A marking 38

3.9.4 Reflow profile guideline	39
4. ABBREVIATIONS.....	40
5. REVISION HISTORY.....	43

1. Main Features

The following table covers the main features offered by the MT7621A. Overall, the MT7621A supports the requirements of an high-level AP/router, and a number of interfaces together with a large maximum RAM capacity.

Features	MT7621A
CPU	MIPS1004Kc (880 MHz)
I-Cache, D-Cache	32 KB, 32 KB
L2 Cache	256KB
HNAT/HQoS	HNAT 2 Gbps forwarding
Memory	
DRAM Controller	16 b
DDR2	128 MB, 800 Mbps
DDR3	256 MB, 1200 Mbps
NAND	Small page 512Byte (max 512M bit) Large page 2Kbyte (max 8G bit)
SPI Flash	3B addr mode (max 128Mbit) 4B addr mode (max 512Mbit)
SD	SD-XC (class 10)
PCIe	3
USB 3.0	1
USB 2.0	2
Switch	5p GSW + RGMII(1)
I2S	1
PCM	1
I2C	1
SPDIF-Tx	1
UART Lite	3
JTAG	1
Package	TFBGA387- 11.7 mm x 13.6 mm

Table 1-1 Main Features

2. Pins

2.1 TFBGA (11.7 mm x 13.6 mm) 347 Ball Package Diagram

2.1.1 Ball Map (Top View)

347	1	2	3	4	5	6	7	8	9	10	11	12	13	14	15	16	17	18	
A	GND	RDQ3	RDQ8		RDQ12		RDQ50		GND		RDQ2		RBA2		RWE_	RA3	RCKE	GND	A
B	REXTDN	RDQ5	RDQ1	RDQ10	RDQM0	RDQS1_	RDQS0_	RDQM1	RDQ13	RDQ11	GND	RDQ4	RA13	RODT	RCS_	RA5	RBA1	RA1	B
C	ND_D6	RDQ7	DVDD_VREF	GND	RDQ14	GND	RDQS1	RDQ15	RCLK	RDQ9	RDQ0	RDC6	GND	RRAS_	RCAS_	RBA0	RA14	RA11	C
D	ND_D4	ND_D5	ND_D7	GND	GND	DVDD_D DRI0	DVDD_D DRI0	GND	RCLK_	GND	DDR3RS TB	DVDD_D DRI0	RA9	RA2	RA12	RA8	RA6		D
E		ND_D2	ND_D1	ND_D3	GND	DVDD_D DRI0	DVDD_D DRI0	GND	GND	GND	RA7	GND	RA10	RA0	RA4	AVDD33_MEMPLL	TP_ME MPLL	TN_ME MPLL	E
F	ND_RB_N	ND_D0	ND_RE_N	ND_WP	GND	GND	DVDDK	DVDDK	GND	GND	DVDD_D DRI0	DVDD_D DRI0	AVSS33_MEMPLL	GND		DVDD33_IO_4	JTCLK	JTRST_N	F
G		ND_CS_N	ND_CLE	ND_WE_N	ND_ALE	GND	GND	DVDDK	GND	GND	GND	DVDDK	GND	PERST_N	WDT_RS T_N	JTDI	JTDO	JTMS	G
H	TXD3	TXD2	RXD3	RXD2	CTS3_N	DVDD33_IO_2	GND	GND	DVDDK	GND	DVDDK	GND	PCIE_CK N0	PCIE_CK P0	GND	PCIE_TX P0	PCIE_TX N0		H
J	AVDD12_SSUBS	GND	RTS2_N	RTS3_N	CTS2_N	DVDD33_IO_1	GND	DVDDK	GND	DVDDK	GND	GND	GND	GND	GND	PCIE_RX P0	PCIE_RX N0	AVDD12 PE	J
K	USB_D M_1P	USB_DP_1P	GND	AVDD33_SSUBS	AVDD33_USB	AVDD33_XDRV	GND	GND	GND	GND	DVDDK	GND	PCIE_CK P1	PCIE_CK N1	GND	PCIE_RX P1	PCIE_RX N1		K
L		SSUSB_VRT	GND	GND	GND	GND	GND	GND	GND	CBG_AV OUTP	CBG_AV OUTN	GND	GND	GND	GND	CBG_VR T	PCIE_TX P1	PCIE_TX N1	L
M	SSUSB_T XN	SSUSB_T XP	GND	USB_D M	USB_DP M	DVDD_G E1_VREF	DVDD_G E1_IO	DVDD_G E1_IO	GND	GND	GND	GND	PCIE_CK P2	PCIE_CK N2	GND	GND	PCIE_RX P2	PCIE_RX N2	M
N		SSUSB_RXP	SSUSB_RXN	GND	GND	AVDD10_AFE_P0		AVDD10_AFE_P2		DVDD_K_1	AVDD33_PE	GND	GND	GND	GND	PCIE_TX P2	PCIE_TX N2		N
P	GND	GND	GND	GND	GND	AVDD10_AFE_P1	GND	AVDD10_AFE_P3	GND	DVDD_K_1	AVDD33_XPTL	GPI00	I2C_SCL K	I2C_SD	GND	GND	XPTL_XI	XPTL_X O	P
R	GND	ESW_TX VP_B_P0	ESW_TX VN_B_P0	GND	ESW_TX VN_A_P0	AVDD10	GND	AVDD10_AFE_P4	GND	DVDD_K_1	DVDD33_IO_3	PORST_N	RXD1	TXD1	GND	GND	GE2_RX CLK		R
T		ESW_TX VP_C_P0	ESW_TX VN_C_P0	ESW_TX VP_A_P1	ESW_TX VN_A_P0	GND	GND	GND	GND	DVDD_K_1	DVDD_G E2_IO	A_POR_BPS_N	SCL	GND	MDC	GE2_RX DV	GE2_RX D0	GE2_RX D1	T
U	ESW_TX VP_D_P0	ESW_TX VN_D_P0	GND	ESW_TX VN_A_P1	AVDD33_LD_P0	AVDD33_LD_P1	AVDD33_LD_P2	AVDD33_PL1_1	AVDD33_LD_P3	AVDD33_LD_P4	DVDD_G E2_IO	DVDD33_IO_4	DVDD33_IO_4	GND	MDIO	GE2_RX D2	GE2_RX D3		U
V		ESW_TX VP_B_P1	ESW_TX VN_B_P1	GND	ESW_TA NA	GND	ESW_XI	ESW_XO	GND	ESW_TX VP_D_P3	GND	GND	GND			GE2_TX EN	GND	GE2_TX CLK	V
W	ESW_TX VP_C_P1	ESW_TX VN_C_P1	ESW_TX VN_B_P2	AVSS33_VBG	ESW_RE XT	ESW_TX VP_C_P2	ESW_TX VP_D_P2	ESW_TX VP_A_P3	ESW_TX VP_B_P3	ESW_TX VN_D_P3	GND	ESW_TX VN_B_P4	GND	ESW_TX VN_D_P4	ESW_P2_LED_0	ESW_P0_LED_1	GE2_TX D1	GE2_TX D0	W
Y	ESW_TX VP_D_P1	ESW_TX VN_D_P1	ESW_TX VP_B_P2		ESW_TX VN_C_P2	ESW_TX VN_D_P2	ESW_TX VN_A_P3	ESW_TX VN_B_P3	ESW_TX VP_C_P3	ESW_TX VN_A_P4	ESW_TX VP_B_P4	ESW_TX VN_C_P4	ESW_TX VP_D_P4	ESW_P4_LED_0	ESW_P1_LED_0	GE2_TX D3	GE2_TX D2		Y
AA	GND	ESW_TX VP_A_P2	ESW_TX VN_A_P2			GND		GND		ESW_TX VN_C_P3	ESW_TX VP_A_P4		ESW_TX VP_C_P4	ESW_P3_LED_0		ESW_P0_LED_0	GND		AA
	1	2	3	4	5	6	7	8	9	10	11	12	13	14	15	16	17	18	

Table 2-1 Ball Map

2.3 Pin Descriptions (TFBGA)

Pin	Name	Type	Driv.	Description
GPIO				
P12	GPIO0	O, IPU	4 mA	GPO0 (output only)
UART				
R13	RXD1	I, IPU	4 mA	UART Lite RX Data
R14	TXD1	O, IPU	4 mA	UART Lite TX Data
H4	RXD2	I, IPD	4 mA	UART RX Data
H2	TXD2	O, IPD	4 mA	UART TX Data
J5	CTS2_N	I, IPD	4 mA	UART Clear To Send
J3	RTS2_N	O, IPD	4 mA	UART Request To Send
H3	RXD3	I, IPD	4 mA	UART RX Data
H1	TXD3	O, IPD	4 mA	UART TX Data
H5	CTS3_N	I, IPD	4 mA	UART Clear To Send
J4	RTS3_N	O, IPD	4 mA	UART Request To Send
JTAG				
G17	JTDO	O, IPD	4 mA	JTAG Data Output
G16	JTDI	I/O, IPD	4 mA	JTAG Data Input
G18	JTMS	I/O, IPD	4 mA	JTAG Mode Select
F16	JTCLK	I/O, IPD	4 mA	JTAG Clock
F17	JTRST_N	I/O, IPU	4 mA	JTAG Target Reset
I2C				
P13	I2C_SCLK	I/O, IPD	4 mA	I2C Clock
P14	I2C_SD	O, IPD	4 mA	I2C Data
NAND				
G2	ND_CS_N	O, IPU	4 mA	NAND Flash Chip Select
F3	ND_RE_N	O, IPU	4 mA	NAND Flash Read Enable
G4	ND_WE_N	O, IPU	4 mA	NAND Flash Write Enable
F4	ND_WP	O	6 mA	NAND Flash Write Protect
G3	ND_CLE	O	6 mA	NAND Flash Command Latch Enable
G5	ND_ALE	O	6 mA	NAND Flash ALE Latch Enable
F1	ND_RB_N	I	6 mA	NAND Flash Ready/Busy
F2	ND_D0	I/O	6 mA	NAND Flash Data0
E3	ND_D1	I/O	6 mA	NAND Flash Data1
E2	ND_D2	I/O	6 mA	NAND Flash Data2
E4	ND_D3	I/O	6 mA	NAND Flash Data3
D1	ND_D4	I/O, IPU	4 mA	NAND Flash Data4
D2	ND_D5	I/O, IPU	4 mA	NAND Flash Data5
C1	ND_D6	I/O, IPU	4 mA	NAND Flash Data6
D3	ND_D7	I/O, IPU	4 mA	NAND Flash Data7
RGMI2/MII (3.3 V)				
R17	GE2_RXCLK	I/O	12 mA	RGMI2 Rx Clock
T16	GE2_RXDV	I	12 mA	RGMI2 Rx Data Valid

Pin	Name	Type	Driv.	Description
T17	GE2_RXD0	I	12 mA	RGMI2 Rx Data bit #0
T18	GE2_RXD1	I	12 mA	RGMI2 Rx Data bit #1
U16	GE2_RXD2	I	12 mA	RGMI2 Rx Data bit #2
U17	GE2_RXD3	I	12 mA	RGMI2 Rx Data bit #3
V18	GE2_TXCLK	I/O	12 mA	RGMI2 Tx Clock
V16	GE2_TXEN	O	12 mA	RGMI2 Tx Data Valid
W18	GE2_TXD0	O	12 mA	RGMI2 Tx Data bit #0
W17	GE2_TXD1	O	12 mA	RGMI2 Tx Data bit #1
Y18	GE2_TXD2	O	12 mA	RGMI2 Tx Data bit #2
Y17	GE2_TXD3	O	12 mA	RGMI2 Tx Data bit #3
PHY Management (3.3 V)				
T15	MDC	O	6 mA	PHY Management Clock. Shared with GPIO23
U15	MDIO	I/O	6 mA	PHY Management Data. Shared with GPIO22
5-Port GiGa(10/100/1000) Switch				
AA17	ESW_PO_LED_0	I/O		Port #0 PHY LED indicators
W16	ESW_PO_LED_1	I/O		Port #0 PHY LED indicators
Y16	ESW_P1_LED_0	I/O		Port #1 PHY LED indicators
W15	ESW_P2_LED_0	I/O		Port #2 PHY LED indicators
AA15	ESW_P3_LED_0	I/O		Port #3 PHY LED indicators
Y15	ESW_P4_LED_0	I/O		Port #4 PHY LED indicators
W5	ESW_REXT	A		Band gap resistor which is connected to AVSS33_BG through a 24kΩ (±1%) resistor
V5	ESW_TANA	A		Analog test pin
R5	ESW_TXVN_A_P0	A		Port #0 MDI Transceivers
R3	ESW_TXVN_B_P0	A		Port #0 MDI Transceivers
T3	ESW_TXVN_C_P0	A		Port #0 MDI Transceivers
U2	ESW_TXVN_D_P0	A		Port #0 MDI Transceivers
T5	ESW_TXVP_A_P0	A		Port #0 MDI Transceivers
R2	ESW_TXVP_B_P0	A		Port #0 MDI Transceivers
T2	ESW_TXVP_C_P0	A		Port #0 MDI Transceivers
U1	ESW_TXVP_D_P0	A		Port #0 MDI Transceivers
U4	ESW_TXVN_A_P1	A		Port #1 MDI Transceivers
V3	ESW_TXVN_B_P1	A		Port #1 MDI Transceivers
W2	ESW_TXVN_C_P1	A		Port #1 MDI Transceivers
Y2	ESW_TXVN_D_P1	A		Port #1 MDI Transceivers
T4	ESW_TXVP_A_P1	A		Port #1 MDI Transceivers
V2	ESW_TXVP_B_P1	A		Port #1 MDI Transceivers
W1	ESW_TXVP_C_P1	A		Port #1 MDI Transceivers
Y1	ESW_TXVP_D_P1	A		Port #1 MDI Transceivers
AA3	ESW_TXVN_A_P2	A		Port #2 MDI Transceivers
W3	ESW_TXVN_B_P2	A		Port #2 MDI Transceivers
Y6	ESW_TXVN_C_P2	A		Port #2 MDI Transceivers

Pin	Name	Type	Driv.	Description
Y7	ESW_TXVN_D_P2	A		Port #2 MDI Transceivers
AA2	ESW_TXVP_A_P2	A		Port #2 MDI Transceivers
Y3	ESW_TXVP_B_P2	A		Port #2 MDI Transceivers
W6	ESW_TXVP_C_P2	A		Port #2 MDI Transceivers
W7	ESW_TXVP_D_P2	A		Port #2 MDI Transceivers
Y8	ESW_TXVN_A_P3	A		Port #3 MDI Transceivers
Y9	ESW_TXVN_B_P3	A		Port #3 MDI Transceivers
AA10	ESW_TXVN_C_P3	A		Port #3 MDI Transceivers
W10	ESW_TXVN_D_P3	A		Port #3 MDI Transceivers
W8	ESW_TXVP_A_P3	A		Port #3 MDI Transceivers
W9	ESW_TXVP_B_P3	A		Port #3 MDI Transceivers
Y10	ESW_TXVP_C_P3	A		Port #3 MDI Transceivers
V10	ESW_TXVP_D_P3	A		Port #3 MDI Transceivers
Y11	ESW_TXVN_A_P4	A		Port #4 MDI Transceivers
W12	ESW_TXVN_B_P4	A		Port #4 MDI Transceivers
Y13	ESW_TXVN_C_P4	A		Port #4 MDI Transceivers
W14	ESW_TXVN_D_P4	A		Port #4 MDI Transceivers
AA11	ESW_TXVP_A_P4	A		Port #4 MDI Transceivers
Y12	ESW_TXVP_B_P4	A		Port #4 MDI Transceivers
AA13	ESW_TXVP_C_P4	A		Port #4 MDI Transceivers
Y14	ESW_TXVP_D_P4	A		Port #4 MDI Transceivers
V7	ESW_XI	I		Switch XTAL clock input (for debug)
V8	ESW_XO	O		Switch XTAL clock input (for debug)
T12	A_POR_BPS	I		Switch debug pin
PCIe				
G14	PERST_N	O, IPU	4 mA	PCIe reset.
H13	PCIE_CKNO	O		PCIe0 reference clock (negative)
H14	PCIE_CKPO	O		PCIe0 reference clock (positive)
H17	PCIE_TXNO	O		PCIe0 differential transmit TX -
H16	PCIE_TXPO	O		PCIe0 differential transmit TX+
J16	PCIE_RXNO	I		PCIe0 differential receive RX -
J17	PCIE_RXPO	I		PCIe0 differential receive RX +
K14	PCIE_CKN1	O		PCIe1 reference clock (negative)
K13	PCIE_CKP1	O		PCIe1 reference clock (positive)
L17	PCIE_TXN1	O		PCIe1 differential transmit TX -
L18	PCIE_TXP1	O		PCIe1 differential transmit TX+
K16	PCIE_RXN1	I		PCIe1 differential receive RX -
K17	PCIE_RXP1	I		PCIe1 differential receive RX +
M14	PCIE_CKN2	O		PCIe2 reference clock (negative)
M13	PCIE_CKP2	O		PCIe2 reference clock (positive)
N17	PCIE_TXN2	O		PCIe2 differential transmit TX -
N16	PCIE_TXP2	O		PCIe2 differential transmit TX+

Pin	Name	Type	Driv.	Description
M18	PCIE_RXN2	I		PCIe2 differential receive RX -
M17	PCIE_RXP2	I		PCIe2 differential receive RX +
USB				
L2	SSUSB_VRT	I/O		USB Port0 reference pin (USB3.0)
N3	SSUSB_RXN	I/O		USB Port0 SS data pin RX- (USB3.0)
N2	SSUSB_RXP	I/O		USB Port0 SS data pin RX+ (USB3.0)
M1	SSUSB_TXN	I/O		USB Port0 SS data pin TX- (USB3.0)
M2	SSUSB_TXP	I/O		USB Port0 SS data pin TX+ (USB3.0)
M4	USB_DM_P0	I/O		USB Port0 HS/FS/LS data pin Data- (USB3.0)
M5	USB_DP_P0	I/O		USB Port0 HS/FS/LS data pin Data+ (USB3.0)
K1	USB_DM_P1	I/O		USB Port1 data pin Data- (USB2.0)
K2	USB_DP_P1	I/O		USB Port1 data pin Data+ (USB2.0)
DDR2/3				
C11	RDQ0	I/O		DDR Data bit #0
B3	RDQ1	I/O		DDR Data bit #1
A11	RDQ2	I/O		DDR Data bit #2
A2	RDQ3	I/O		DDR Data bit #3
B12	RDQ4	I/O		DDR Data bit #4
B2	RDQ5	I/O		DDR Data bit #5
C12	RDQ6	I/O		DDR Data bit #6
C2	RDQ7	I/O		DDR Data bit #7
A3	RDQ8	I/O		DDR Data bit #8
C10	RDQ9	I/O		DDR Data bit #9
B4	RDQ10	I/O		DDR Data bit #10
B10	RDQ11	I/O		DDR Data bit #11
A5	RDQ12	I/O		DDR Data bit #12
B9	RDQ13	I/O		DDR Data bit #13
C5	RDQ14	I/O		DDR Data bit #14
C8	RDQ15	I/O		DDR Data bit #015
E14	RA0	O		DDR Address bit #0
B18	RA1	O		DDR Address bit #1
D14	RA2	O		DDR Address bit #2
A16	RA3	O		DDR Address bit #3
E15	RA4	O		DDR Address bit #4
B16	RA5	O		DDR Address bit #5
D17	RA6	O		DDR Address bit #6
E11	RA7	O		DDR Address bit #7
D16	RA8	O		DDR Address bit #8
D13	RA9	O		DDR Address bit #9
E13	RA10	O		DDR Address bit #10
C18	RA11	O		DDR Address bit #11
D15	RA12	O		DDR Address bit #12

Pin	Name	Type	Driv.	Description
B13	RA13	O		DDR Address bit #13
C17	RA14	O		DDR Address bit #14
C16	RBA0	O		DDR Bank Address #0
B17	RBA1	O		DDR Bank Address #1
A13	RBA2	O		DDR Bank Address #2
C14	RRAS_	O		DDR RAS
C15	RCAS_	O		DDR CAS
A15	RWE_	O		DDR WE
C9	RCLK	O		DDR Clock
D9	RCLK_	O		DDR Clock
B5	RDQM0	O		DDR DM#0
B8	RDQM1	O		DDR DM#1
B15	RCS_	O		DDR CS
A7	RDQS0	I/O		DDR DQS#0
B7	RDQS0_	I/O		DDR DQS#0
C7	RDQS1	I/O		DDR DQS#1
B6	RDQS1_	I/O		DDR DQS#1
A17	RCKE	O		DDR CKE
B14	RODT	O		DDR ODT
D11	DDR3RSTB	O		DDR3 Reset
B1	REXTDN	A		DDR PHY debug pin
XTAL				
P17	XPTL_XI	I		XTAL clock input
P18	XPTL_XO	O		XTAL clock output (for single-end mode, this pin will be XTAL clock input)
Misc				
R12	PORST_N	I		Power on reset
G15	WDT_RST_N	O, IPU	4 mA	Watchdog Reset
L16	CBG_VRT	A		24K 1% accurate resistor
L11	CBG_AVOUTN	A		CBG debug pin (monitor out +)
L10	CBG_AVOUTP	A		CBG debug pin (monitor out -)
E18	TN_MEMPLL	A		PLL debug pin
E17	TP_MEMPLL	A		PLL debug pin
T13	SCL	I/O		SCAN pin
Power				
J6, H6, R11, U12, U13, F15	DVDD33_IO_1/2/3 /4	P		3.3 V digital I/O power supply
F7, F8, G8, J8, H9, J10, H11, K11, G12	DVDDK	P		1.1 V digital SOC core power supply

Pin	Name	Type	Driv.	Description
N10, P10, R10, T10	DVDD_K_1			1.0 V digital ESW core power supply
C3	DVDD_VREF	P		0.75V/0.9 V reference voltage power supply for DDR3/DDR2
D6, D7, D12, E7, E6, F11, F12	DVDD_DDRIO	P		1.5 V/1.8 V power supply for DDR3/DDR2
M6	DVDD_GE1_VREF	P		0.75V/0.9 V reference voltage power supply for GE1
M7, M8	DVDD_GE1_IO	P		1.5V/1.8V power supply for GE1
T11, U11	DVDD_GE2_IO	P		2.5V/3.3V power supply for GE2
R6	AVDD10	P		1.0V analog ESW power supply
N6, P6, N8, P8, R8	AVDD10_AFE_P0/1/2/3/4	P		1.0V analog ESW power supply
J18	AVDD12_PE	P		1.2V analog PCIe power supply
J1	AVDD12_SSUSB	P		1.2V analog USB power supply
U5, U6, U7, U9, U10	AVDD33_LD_P0/1/2/3/4	P		3.3V analog ESW power supply
E16	AVDD33_MEMPLL	P		3.3V analog PLL power supply
N11	AVDD33_PE	P		3.3V analog PCIe power supply
U8	AVDD33_PLL_1	P		3.3V analog ESW power supply
K4	AVDD33_SSUSB	P		3.3V analog USB power supply
K5	AVDD33_USB	P		3.3V analog USB power supply
K6	AVDD33_XDRV	P		3.3V analog XTAL drive power supply
P11	AVDD33_XPTL	P		3.3V analog XTAL power supply
Ground				
F13	AVSS33_MEMPLL	G		
W4	AVSS33_VBG	G		

Pin	Name	Type	Driv.	Description
A1, A18, A9, AA1, AA18, AA6, AA8, B11, C13, C4, C6, D10, D4, D5, D8, E10, E5, E8, E9, F10, E12 F14, F5, F6, F9, G10, G13, G6, G7, G9, G11, H10, H12, H15, H7, H8, J11, J12, J13, J14, J15, J2, J7, J9, K10, K12, K15, K3, K6, K7, K8, K9, L12, L13, L14, L15, L3, L4, L5, L6, L7, L8, L9, M10, M11, M12, M15, M16, M3, M9, N12, N13, N14, N15, N4, N5, P1, P15, P16, P2, P3, P4, P5, P7, P9, R1, R15, R16, R4, R7, R9, T14, T6, T7, T8, T9, U14, U3, V11, V12, V13, V17, V4, V6, V9, W11, W13	GND	G		Ground
Total: 265 balls				

NOTE:

- IPD: Internal pull-down
- IPU: Internal pull-up
- I: Input
- O: Output
- IO: Bi-directional
- P: Power
- G: Ground
- NC: Not connected

2.4 Pin Sharing Schemes

Some pins are shared with GPIO to provide maximum flexibility for system designers. The MT7621 provides up to 49 GPIO pins. Users can configure SYSCFG and GPIOMODE registers in the System Control block to specify the pin function, or they can use the registers specified below. For more information, see the Programmer’s Guide. Unless specified explicitly, all the GPIO pins are in input mode after reset.

2.4.1 GPIO pin share scheme

I/O Pad Group	Normal Mode	GPIO Mode
GPIO	GPIO0	GPO#0
UART	RXD1	GPIO#1
	TXD1	GPIO#2
I2C	I2C_SD	GPIO#3
	I2C_SCLK	GPIO#4
UART	RTS3_N	GPIO#5
	CTS3_N	GPIO#6
	TXD3	GPIO#7
	RXD3	GPIO#8
UART	RTS2_N	GPIO#9
	CTS2_N	GPIO#10
	TXD2	GPIO#11
	RXD2	GPIO#12
JTAG	JTDO	GPIO#13
	JTDI	GPIO#14
	JTMS	GPIO#15
	JTCLK	GPIO#16
	JTRST_N	GPIO#17
WDT_RST_N	WDT_RST_N	GPIO#18
PCIe	PERST_N	GPIO#19
MDC/MDIO	MDIO	GPIO#20
	MDC	GPIO#21
GE2	GE2_TXD0	GPIO#22
	GE2_TXD1	GPIO#23
	GE2_TXD2	GPIO#24
	GE2_TXD3	GPIO#25
	GE2_TXEN	GPIO#26
	GE2_TXCLK	GPIO#27
	GE2_RXD0	GPIO#28
	GE2_RXD1	GPIO#29
	GE2_RXD2	GPIO#30
	GE2_RXD3	GPIO#31

I/O Pad Group	Normal Mode	GPIO Mode
	GE2_RXDV	GPIO#32
	GE2_RXCLK	GPIO#33
NAND	ND_CS_N	GPIO#34
	ND_WE_N	GPIO#35
	ND_RE_N	GPIO#36
	ND_D4	GPIO#37
	ND_D5	GPIO#38
	ND_D6	GPIO#39
	ND_D7	GPIO#40
	ND_WP	GPIO#41
	ND_RB_N	GPIO#42
	ND_CLE	GPIO#43
	ND_ALE	GPIO#44
	ND_D0	GPIO#45
	ND_D1	GPIO#46
	ND_D2	GPIO#47
	ND_D3	GPIO#48

2.4.2 UART pin share scheme

Controlled by the UART1_MODE register.

Pin Name	0	1
RXD1	TXD1	GPIO#1
TXD1	RXD1	GPIO#2

Controlled by the UART2_MODE register.

Pin Name	0	1	2	3
RTS2_N	RTS2_N	GPIO#9	PCM_DTX	GPIO#9
CTS2_N	CTS2_N	GPIO#10	PCM_DRX	GPIO#10
TXD2	TXD2	GPIO#11	PCM_CLK	SPDIF_TX
RXD2	RXD2	GPIO#12	PCM_FS	GPIO#12

Controlled by the UART3_MODE register.

Pin Name	0	1	2	3
RTS3_N	RTS3_N	GPIO#5	I2S_SDO	SPDIF_TX
CTS3_N	CTS3_N	GPIO#6	I2S_CLK	GPIO#6
TXD3	TXD3	GPIO#7	I2S_WS	GPIO#7
RXD3	RXD3	GPIO#8	I2S_SDI	GPIO#8

2.4.3 RGMII pin share schemes

Controlled by the RGMII1_MODE register.

Pin Name	0	1
GE1_RXCLK	GE1_RXCLK	GPIO#60
GE1_RXDV	GE1_RXDV	GPIO#59
GE1_RXD 0 to 3	GE1_RXD 0 to 3	GPIO#55 to 58
GE1_TXCLK	GE1_TXCLK	GPIO#54
GE1_TXEN	GE1_TXEN	GPIO#53
GE1_TXD0 to 3	GE1_TXD0 to 3	GPIO#49 to 52

NOTE: This scheme applies only to the MT7621N.

Controlled by the RGMII2_MODE register.

Pin Name	0	1
GE2_RXCLK	GE2_RXCLK	GPIO#33
GE2_RXDV	GE2_RXDV	GPIO#32
GE2_RXD0 to 3	GE2_RXD0 to 3	GPIO#28 to 31
GE2_TXCLK	GE2_TXCLK	GPIO#27
GE2_TXEN	GE2_TXEN	GPIO#26
GE2_TXD0 to 3	GE2_TXD0 to 3	GPIO#22 to 25

2.4.4 WDT_RST_MODE pin share scheme

Controlled by the WDT_RST_MODE register.

Pin Name	0	1	2/3
WDT_RST_N	WDT_RST_N	GPIO#18	REFCLK0_OUT

2.4.5 PERST_N pin share scheme

Controlled by the PERST_MODE register.

Pin Name	0	1	2/3
PERST_N	PERST_N	GPIO#19	REFCLK0_OUT

NOTE: This scheme applies only to the TFBGA package.

2.4.6 MDC/MDIO pin share scheme:

Controlled by the MDIO_MODE register.

Pin Name	0	1/2/3
MDIO	MDC	GPIO #20
MDC	MDIO	GPIO #21

2.4.7 NAND/SDXC/SPI pin share scheme

Controlled by the SDXC_MODE register.

Pin Name	0	1	2/3
ND_WP	SD_WP	GPIO#41	ND_WP
ND_RB_N	SD_CLK	GPIO#42	ND_RB_N
ND_CLE	SD_CD	GPIO#43	ND_CLE
ND_ALE	SD_CMD	GPIO#44	ND_ALE
ND_D0	SD_DATA0	GPIO#45	ND_D0
ND_D1	SD_DATA1	GPIO#46	ND_D1
ND_D2	SD_DATA2	GPIO#47	ND_D2
ND_D3	SD_DATA3	GPIO#48	ND_D3

Controlled by the SPI_MODE register.

Pin Name	0	1	2/3
ND_CS_N	SPI_CS0	GPIO#34	ND_CS_N
ND_WE_N	SPI_CS1	GPIO#35	ND_WE_N
ND_RE_N	SPI_CLK	GPIO#36	ND_RE_N
ND_D4	SPI_MISO	GPIO#37	ND_D4
ND_D5	SPI_MOSI	GPIO#38	ND_D5
ND_D6	SPI_WP	GPIO#39	ND_D6
ND_D7	SPI_HOLD	GPIO#40	ND_D7

2.4.7.1 Pin share function description

Pin Share Name	I/O	Pin Share Function description
PCMDTX	O	PCM Data Transmit DATA signal sent from the PCM host to the external codec.
PCMDRX	I	PCM Data Receive DATA signal sent from the external codec to the PCM host.
PCMCLK	I/O	PCM Clock The clock signal can be generated by the PCM host (Output direction), or provided by an external clock (input direction). The clock frequency should match the slot configuration of the PCM host. e.g. 4 slots, PCM clock out/in should be 256 kHz. 8 slots, PCM clock out/in should be 512 kHz. 16 slots, PCM clock out/in should be 1.024 MHz. 32 slots, PCM clock out/in should be 2.048 MHz. 64 slots, PCM clock out/in should be 4.096 MHz. 128 slots, PCM clock out/in should be 8.192 MHz.
PCMFS	I/O	PCM SYNC signal. In our design, the direction of this signal is independent of the direction of PCMCLK. Its direction and mode is configurable.
I2SSDI	I	I ² S Data input
I2SSDO	O	I ² S Data output
I2SWS	I/O	I ² S Channel Selection (or Word selection) In master mode the pin data direction is set to output, in slave mode it is set to input.
I2SCLK	I/O	I ² S clock In master mode the pin data direction is set to output, in slave mode it is set to input.
SD_WP	I	SDXC write protect
SD_CLK	O	SDXC clock
SD_CD	I	SDXC card detection
SD_CMD	I/O	SDXC command / Bus state
SD_DATA0	I/O	SDXC DATA line bit 0
SD_DATA1	I/O	SDXC DATA line bit 1
SD_DATA2	I/O	SDXC DATA line bit 2
SD_DATA3	I/O	SDXC DATA line bit 3
SPI_CS0	O	SPI chip select 0
SPI_CS1	O	SPI chip select 1
SPI_CLK	O	SPI clock
SPI_MISO	I/O	Master input/Slave output
SPI_MOSI	I/O	Master output/Slave input
SPI_WP	O	GPO function
SPI_HOLD	O	GPO function

Pin Share Name	I/O	Pin Share Function description
SPDIF_TX	O	SPDIF transmit

MEDIA TEK CONFIDENTIAL
FOR Darren@mtmch.com USE ONLY

2.4.8 xMII PHY/MAC Pin Mapping

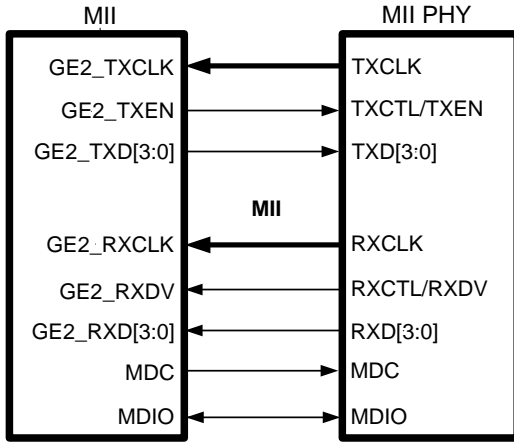


Figure 2-1 MII → MII PHY

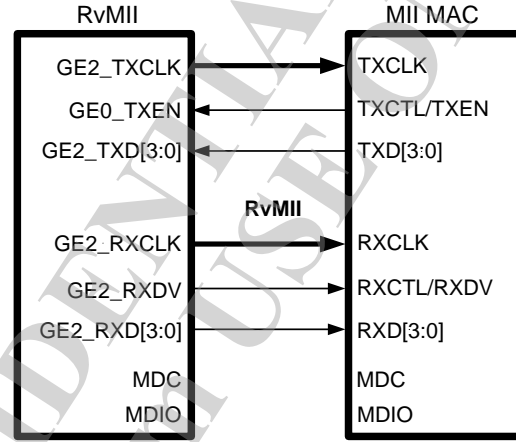


Figure 2-2 RvMII → MII MAC

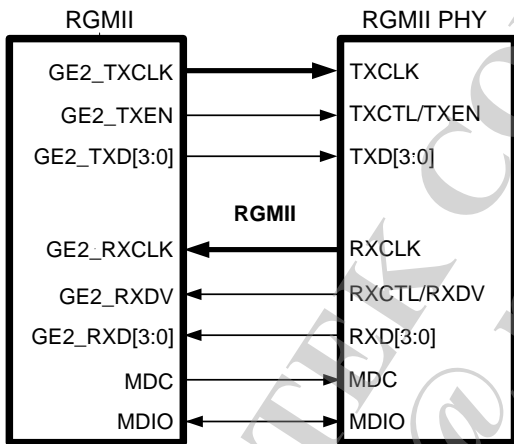


Figure 2-3 RGMII → RGMII PHY

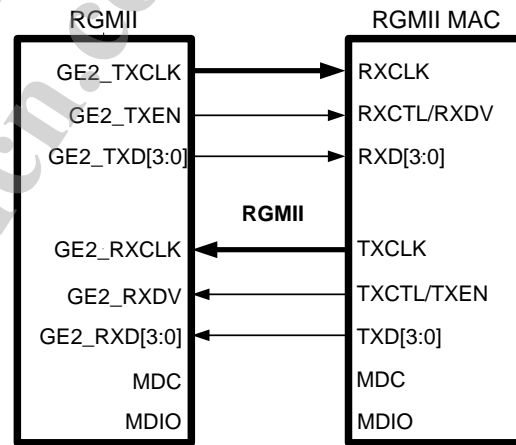


Figure 2-4 RGMII → RGMII MAC

2.5 Bootstrapping Pins Description

Pin Name	Boot Strapping Signal Name	Description																																																			
SPI_CLK	DRAM_FROM_EE	Function mode: (Validate at iNIC mode and NAND flash (chip mode 1 and 12)) 0: DRAM/PLL configuration from EEPROM 1: DRAM configuration from Auto Detect FT mode: (Test interface) 0: SUTIF 1: 3W-SPI																																																			
{SPI_CS1_N, SPI_CS0_N, MDC }	XTAL_MODE	0: 20 MHz, Self Oscillation mode 1: 20 MHz, Single end input 2: 20 MHz, differential input 3: 40 MHz, Self Oscillation mode 4: 40 MHz, Single end input 5: 40 MHz, differential input 6: 25 MHz, Self Oscillation mode 7: 25 MHz, Single end input																																																			
PERST_N	OCP_RATIO	Function Mode: 0: 1:3 1: 1:4 ATPG mode: (CPU test speed) 0:500 1:880																																																			
TXD2	DRAM_TYPE	Function Mode: 0: DDR3 1: DDR2 Scan mode: 0: Scan mode 1: Digital OLT mode FT mode: 0: SUTIF use XTAL 1: SUTIF use AUX_CLK(@pin SD_CD)																																																			
{RTS2_N, RTS3_N, TXD1, GPIO0}	CHIP_MODE[3:0]	A vector to set chip function/debug/ATPG/FT modes <table border="1"> <thead> <tr> <th></th> <th>Mode</th> <th>Note</th> </tr> </thead> <tbody> <tr> <td>0</td> <td>N/A</td> <td></td> </tr> <tr> <td>1</td> <td>Normal</td> <td>Boot from ROM (NAND page 2k+64 bytes)</td> </tr> <tr> <td>2</td> <td>Normal</td> <td>Boot from SPI 3-byte address</td> </tr> <tr> <td>3</td> <td>Normal</td> <td>Boot from SPI 4-byte address</td> </tr> <tr> <td>4</td> <td>iNIC RGMII</td> <td>Boot from ROM</td> </tr> <tr> <td>5</td> <td>iNIC MII</td> <td>Boot from ROM</td> </tr> <tr> <td>6</td> <td>iNIC RVMII</td> <td>Boot from ROM</td> </tr> <tr> <td>7</td> <td>iNIC PHY</td> <td>Boot from ROM</td> </tr> <tr> <td>8</td> <td>N/A</td> <td></td> </tr> <tr> <td>9</td> <td>Normal</td> <td>Boot from internal SRAM</td> </tr> <tr> <td>10</td> <td>Normal</td> <td>Boot from ROM (NAND page 2k+128 bytes)</td> </tr> <tr> <td>11</td> <td>Normal</td> <td>Boot from ROM (NAND page 4k+128 bytes)</td> </tr> <tr> <td>12</td> <td>Normal</td> <td>Boot from ROM (NAND page 4k+224 bytes)</td> </tr> <tr> <td>13</td> <td>Debug</td> <td></td> </tr> <tr> <td>14</td> <td>ATPG</td> <td>Scan test</td> </tr> <tr> <td>15</td> <td>FT</td> <td>Final test</td> </tr> </tbody> </table>		Mode	Note	0	N/A		1	Normal	Boot from ROM (NAND page 2k+64 bytes)	2	Normal	Boot from SPI 3-byte address	3	Normal	Boot from SPI 4-byte address	4	iNIC RGMII	Boot from ROM	5	iNIC MII	Boot from ROM	6	iNIC RVMII	Boot from ROM	7	iNIC PHY	Boot from ROM	8	N/A		9	Normal	Boot from internal SRAM	10	Normal	Boot from ROM (NAND page 2k+128 bytes)	11	Normal	Boot from ROM (NAND page 4k+128 bytes)	12	Normal	Boot from ROM (NAND page 4k+224 bytes)	13	Debug		14	ATPG	Scan test	15	FT	Final test
	Mode	Note																																																			
0	N/A																																																				
1	Normal	Boot from ROM (NAND page 2k+64 bytes)																																																			
2	Normal	Boot from SPI 3-byte address																																																			
3	Normal	Boot from SPI 4-byte address																																																			
4	iNIC RGMII	Boot from ROM																																																			
5	iNIC MII	Boot from ROM																																																			
6	iNIC RVMII	Boot from ROM																																																			
7	iNIC PHY	Boot from ROM																																																			
8	N/A																																																				
9	Normal	Boot from internal SRAM																																																			
10	Normal	Boot from ROM (NAND page 2k+128 bytes)																																																			
11	Normal	Boot from ROM (NAND page 4k+128 bytes)																																																			
12	Normal	Boot from ROM (NAND page 4k+224 bytes)																																																			
13	Debug																																																				
14	ATPG	Scan test																																																			
15	FT	Final test																																																			

3. Maximum Ratings and Operating Conditions

3.1 Absolute Maximum Ratings

I/O Supply Voltage	3.6 V
Input, Output, or I/O Voltage	GND -0.3 V to Vcc +0.3 V

Table 3-1 Absolute Maximum Ratings

3.2 Maximum Temperatures

Maximum Junction Temperature (Plastic Package)	125°C
Maximum Lead Temperature (Soldering 10 s)	TBD °C

Table 3-2 Maximum Temperatures

3.3 Operating Conditions

Core Supply Voltage	1.1 V +/- 5%
Ambient Temperature Range	-20 to 55 °C (TBU)
I/O Supply Voltage	3.3 V +/- 10%

Table 3-3 Operating Conditions

3.4 Thermal Characteristics

Thermal characteristics without an external heat sink in still air conditions.

MT7621A:

Thermal Resistance θ_{JA} (°C /W) for JEDEC 2L system PCB	TBD °C/W
Thermal Resistance θ_{JA} (°C /W) for JEDEC 4L system PCB	TBD °C/W
Thermal Resistance θ_{JC} (°C /W) for JEDEC 2L system PCB	TBD °C/W
Thermal Resistance θ_{JC} (°C /W) for JEDEC 4L system PCB	TBD °C/W
Thermal Resistance ψ_{jt} (°C /W) for JEDEC 2L system PCB	TBD °C/W
Thermal Resistance ψ_{jt} (°C /W) for JEDEC 4L system PCB	TBD °C/W

Table 3-4 Thermal Characteristics

3.5 Storage Conditions

The calculated shelf life in a sealed bag is 12 months if stored between 0 °C and 40 °C at less than 90% relative humidity (RH). After the bag is opened, devices that are subjected to solder reflow or other high temperature processes must be handled in the following manner:

- Mounted within 168 hours of factory conditions, i.e. < 30 °C at 60% RH.
- Storage humidity needs to be maintained at < 10% RH.
- Baking is necessary if the customer exposes the component to air for over 168 hrs, baking conditions: 125 °C for 8 hrs.

3.6 External Xtal Specification

Frequency	20/25/40 Mhz
Frequency offset	+/-20 ppm
VIH/VIL	Vcc-0.3 V/0.3 V
Duty cycle	45% to 55% (TBU)

Table 3-5 External Xtal Specifications

3.7 DC Electrical Characteristics (TBU)

Parameters	Sym	Conditions	Min	Typ	Max	Unit
						V
						V
						V
						V
						mA
						mA
						mA
						mA

Table 3-6 DC Electrical Characteristics

Vdd=3.3V	Min	Max
VIH		
VIL		
VOH		
VOL		

Table 3-7 Vdd 3.3V Electrical Characteristics

3.8 AC Electrical Characteristics

3.8.1 DDR SDRAM Interface

The DDR2 SDRAM interface complies with 400 MHz timing requirements for standard DDR2 SDRAM. The interface drivers are SSTL_18 drivers matching the EIA/JEDEC standard JESD79-2B.

The DDR3 SDRAM interface complies with 600 MHz timing requirements for standard DDR3 SDRAM. The interface drivers are SSTL_15 drivers matching the EIA/JEDEC standard JESD79-3E(TBU).

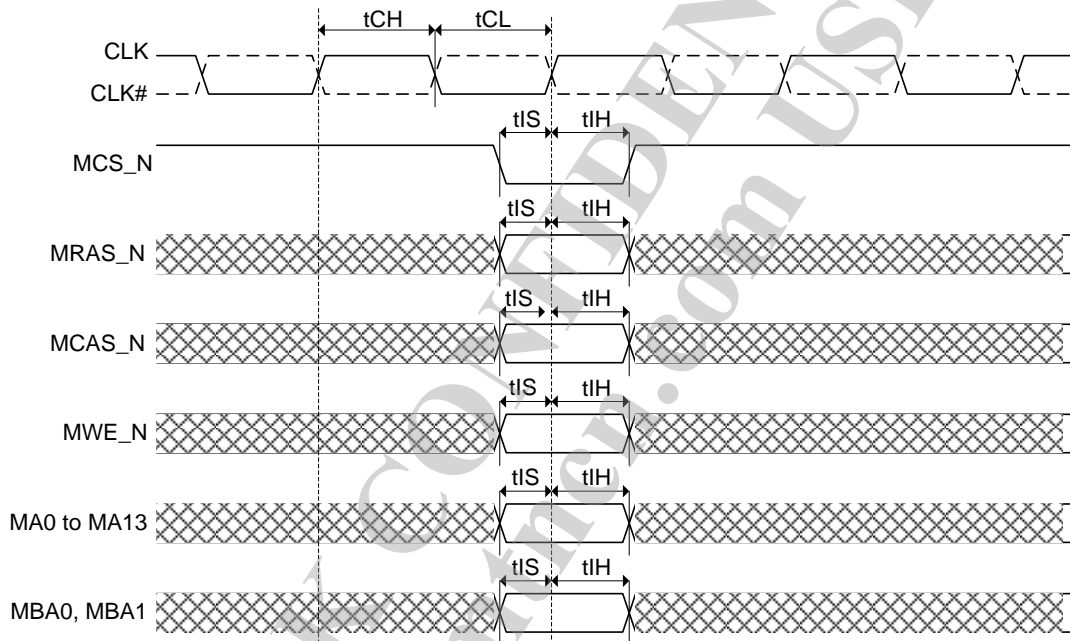


Figure 3-1 DDR2 SDRAM Command

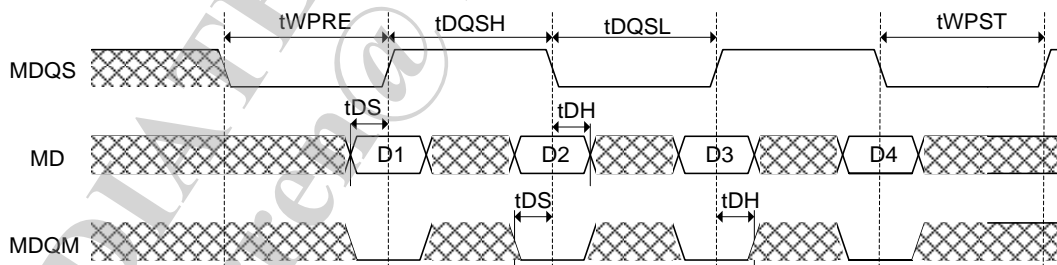


Figure 3-2 DDR2 SDRAM Write data

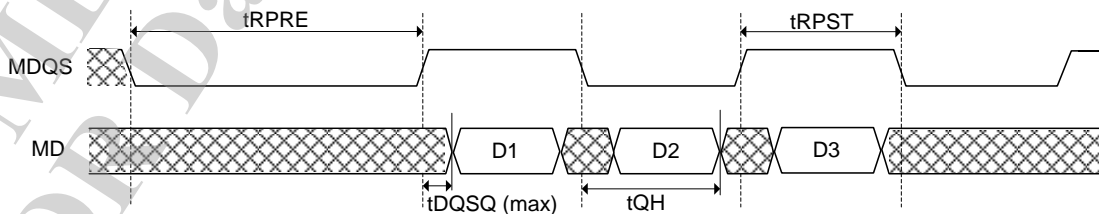


Figure 3-3 DDR2 SDRAM Read data

Symbol	Description	Min	Max	Unit	Remark
tCK(avg)	Clock cycle time	2.5	-	ns	
tAC	DQ output access time from SDRAM CLK	-0.35	0.35	ns	
tDQSK	DQS output access time from SDRAM CLK	-0.5	0.5	ns	
tCH	SDRAM CLK high pulse width	0.48	0.52	tCK(avg)	
tCL	SDRAM CLK low pulse width	0.48	0.52	tCK(avg)	
tHP	SDRAM CLK half period	Min(tCH,tCL)	-	ns	
tIS	Address and control input setup time	175	-	ps	
tIH	Address and control input hold time	250	-	ps	
tDQSQ	Data skew of DQS and associated DQ	-	0.2	ns	
tQH	DQ/DQS output hold time from DQS	tHP-0.3	-	ns	
tRPRE	DQS read preamble	0.9	1.1	tCK	
tRPST	DQS read postamble	0.4	0.6	tCK	
tDQSS	DQS rising edge to CK rising edge	-0.25	0.25	tCK	
tDQSH	DQS input-high pulse width	0.35	-	tCK	
tDQSL	DQS input-low pulse width	0.35	-	tCK	
tDSS	DQS falling edge to SDRAM CLK setup time	0.2	-	tCK	
tDSH	DQS falling edge hold time from SDRAM CLK	0.2	-	tCK	
tWPRE	DQS write preamble	0.35	-	tCK	
tWPST	DQS write postamble	0.4	0.6	tCK	
tDS	DQ and DQM input setup time	*0.05	-	ns	
tDH	DQ and DQM input hold time	*0.125	-	ns	

Table 3-8 DDR2 SDRAM Interface Diagram Key

NOTE: Depends on slew rate of DQS and DQ/DQM for single ended DQS.

3.8.2 RGMII Interface

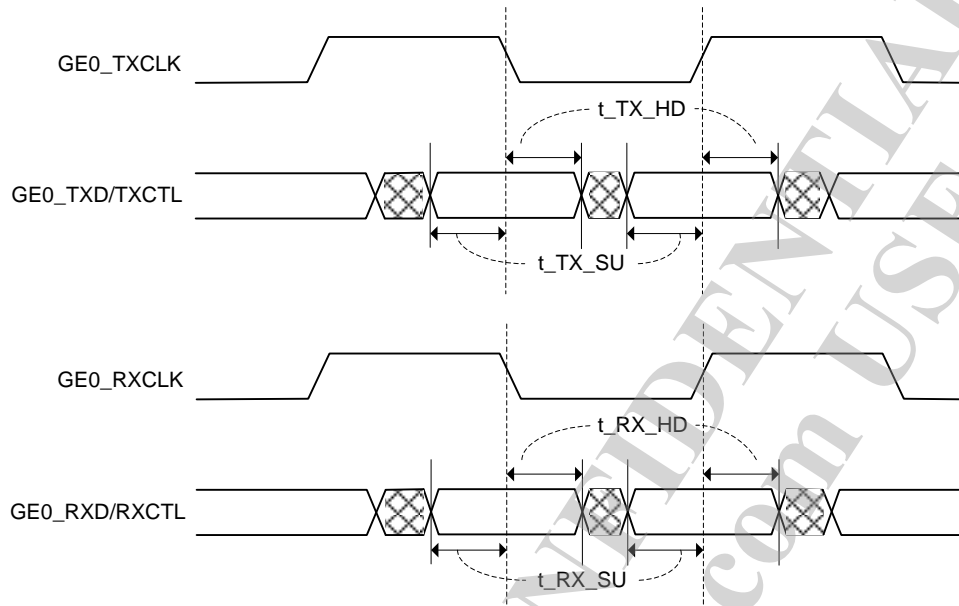


Figure 3-4 RGMII Interface

Symbol	Description	Min	Max	Unit	Remark
t_{TX_SU}	Setup time for output signals (e.g. GE0_TXD*, GE0_TXEN)	1.2	-	ns	output load: 5 pF
t_{TX_HD}	Hold time for output signals	1.2	-	ns	output load: 5 pF
t_{RX_SU}	Setup time for input signals (e.g. GE0_RXD*, GE0_RXDV)	1.0	-	ns	
t_{RX_HD}	Hold time for input signals	1.0	-	ns	

Table 3-11 RGMII Interface Diagram Key

3.8.3 MII Interface (25 Mhz)

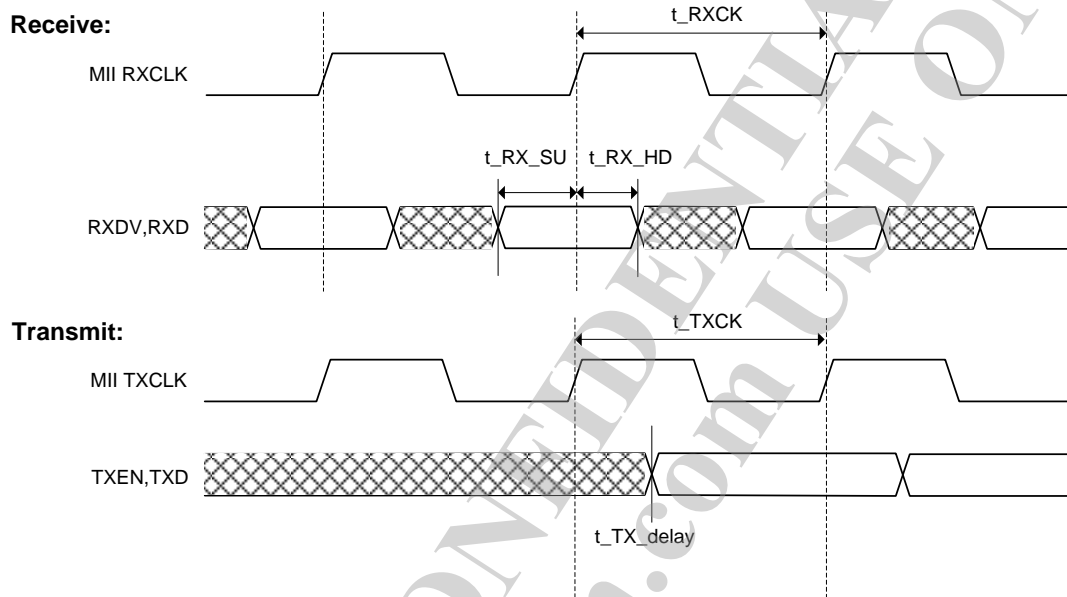


Figure 3-5 MII Interface

(For 25 Mhz TXCLK & RXCLK)

Symbol	Description	Min	Max	Unit	Remark
t_{TX_delay}	Delay to output signals (e.g. GEO_TXD*, GEO_TXEN)	6	22	ns	output load: 5 pF
t_{RX_SU}	Setup time for input signals (e.g. GEO_RXD*, GEO_RXDV)	10	-	ns	
t_{RX_HD}	Hold time for input signals	5	-	ns	

Table 3-92 MII Interface Diagram Key

3.8.4 RvMII Interface (PHY Mode MII Timing) (25 Mhz)

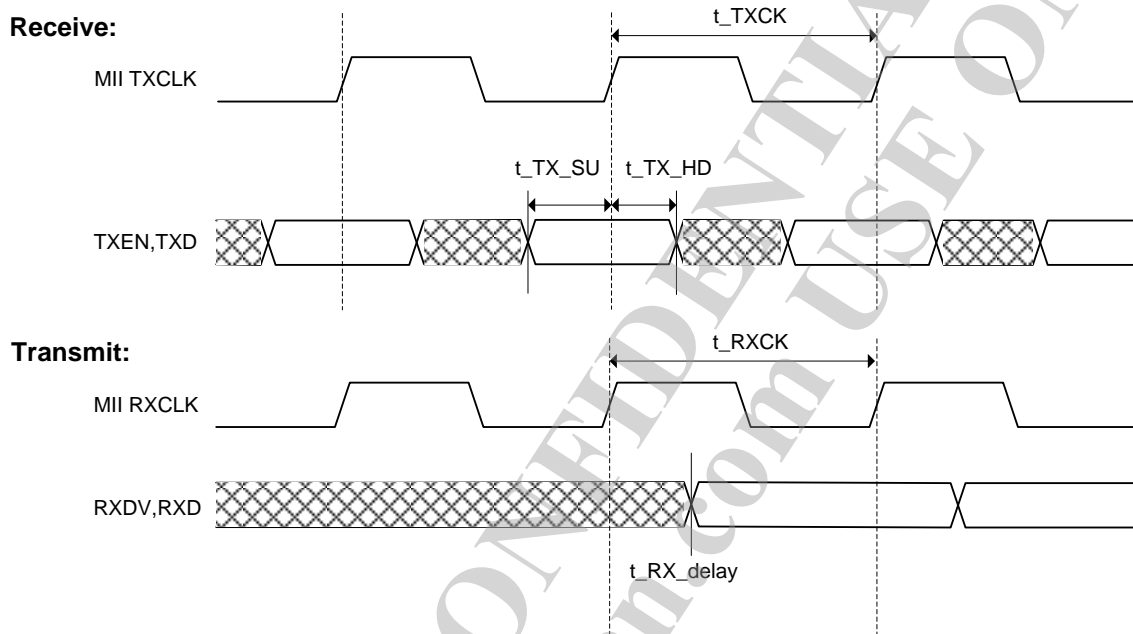


Figure 3-6 RvMII Interface

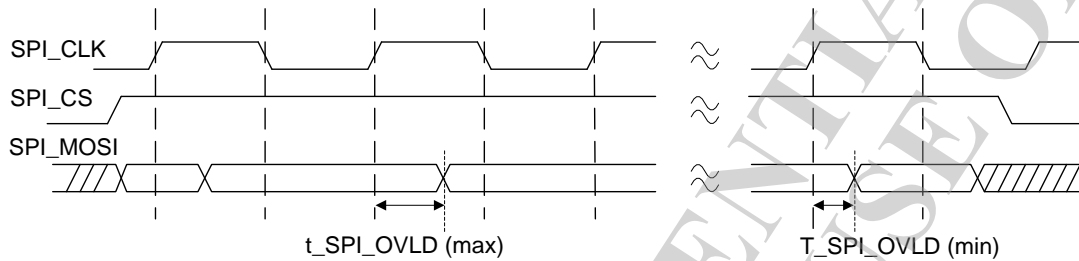
(For 25 Mhz TXCLK & RXCLK)

Symbol	Description	Min	Max	Unit	Remark
t_{RX_delay}	Delays to output signals (e.g. GEO_TXD*, GEO_TXEN)	5	25	ns	output load: 5 pF
t_{TX_SU}	Setup time for input signals (e.g. GEO_RXD*, GEO_RXDV)	15	-	ns	
t_{TX_HD}	Hold time for input signals	6	-	ns	

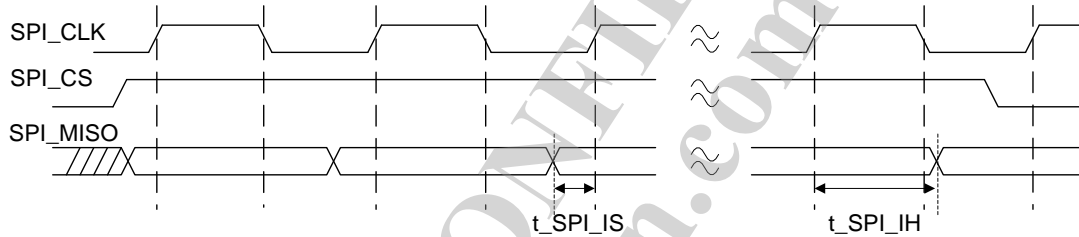
Table 3-103 RvMII Interface Diagram Key

3.8.5 SPI Interface

Write operation (driven by clock rising edge)



Read operation (Driven by clock rising edge (slave-device) and latched by clock rising edge)



NOTE: 1) SPI_CLK is a gated clock.
2) SPI_CS is controlled by software

Figure 3-7 SPI Interface

Symbol	Description	Min	Max	Unit	Remark
t_SPI_IS	Setup time for SPI input	6.0	-	ns	
t_SPI_IH	Hold time for SPI input	-1.0	-	ns	
t_SPI_OVLD	SPI_CLK to SPI output valid	-2.0	3.0	ns	output load: 5 pF

Table 3-114 SPI Interface Diagram Key

3.8.6 I²S Interface

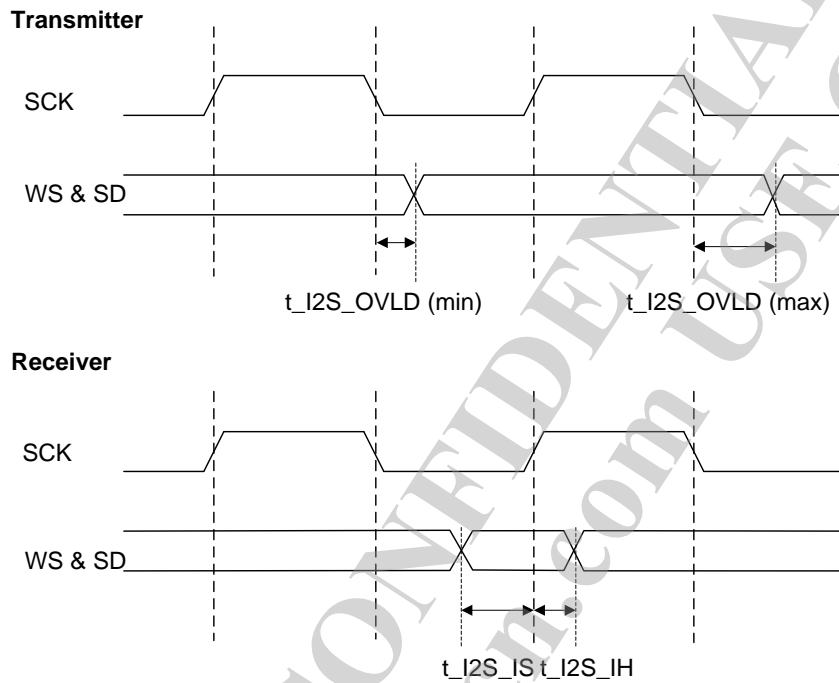


Figure 3-8 I2S Interface

Symbol	Description	Min	Max	Unit	Remark
t_I2S_IS	Setup time for I2S input (data & WS)	3.5	-	ns	
t_I2S_IH	Hold time for I2S input (data & WS)	0.5	-	ns	
t_I2S_OVLD	I2S_CLK to I2S output (data & WS) valid	2.5	10.0	ns	output load: 5 pF

Table 3-125 I2S Interface Diagram Key

3.8.7 PCM Interface

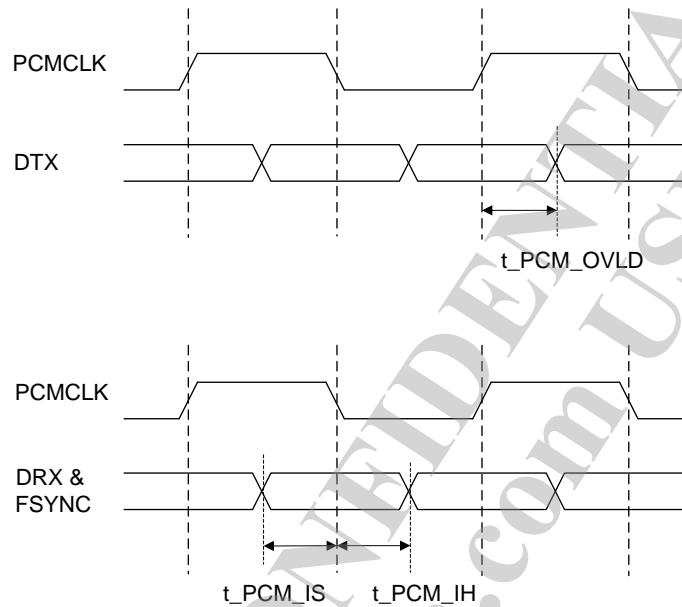
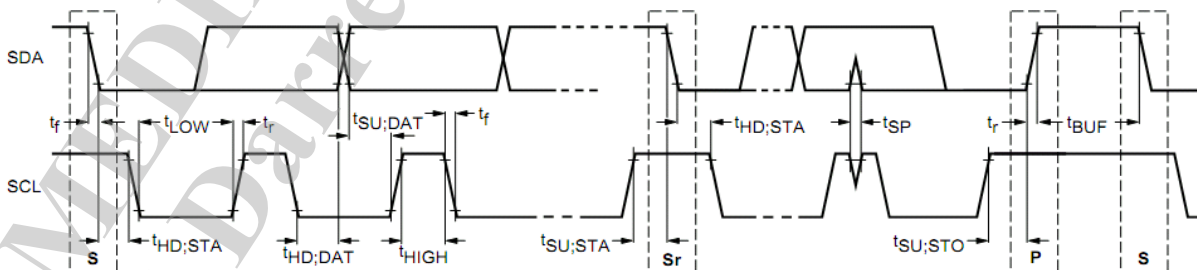


Figure 3-9 PCM Interface

Symbol	Description	Min	Max	Unit	Remark
t_{PCM_IS}	Setup time for PCM input to PCM_CLK fall	3.0	-	ns	
t_{PCM_IH}	Hold time for PCM input to PCM_CLK fall	1.0	-	ns	
t_{PCM_OVLD}	PCM_CLK rise to PCM output valid	10.0	35.0	ns	output load: 5 pF

Table 3-136 PCM Interface Diagram Key

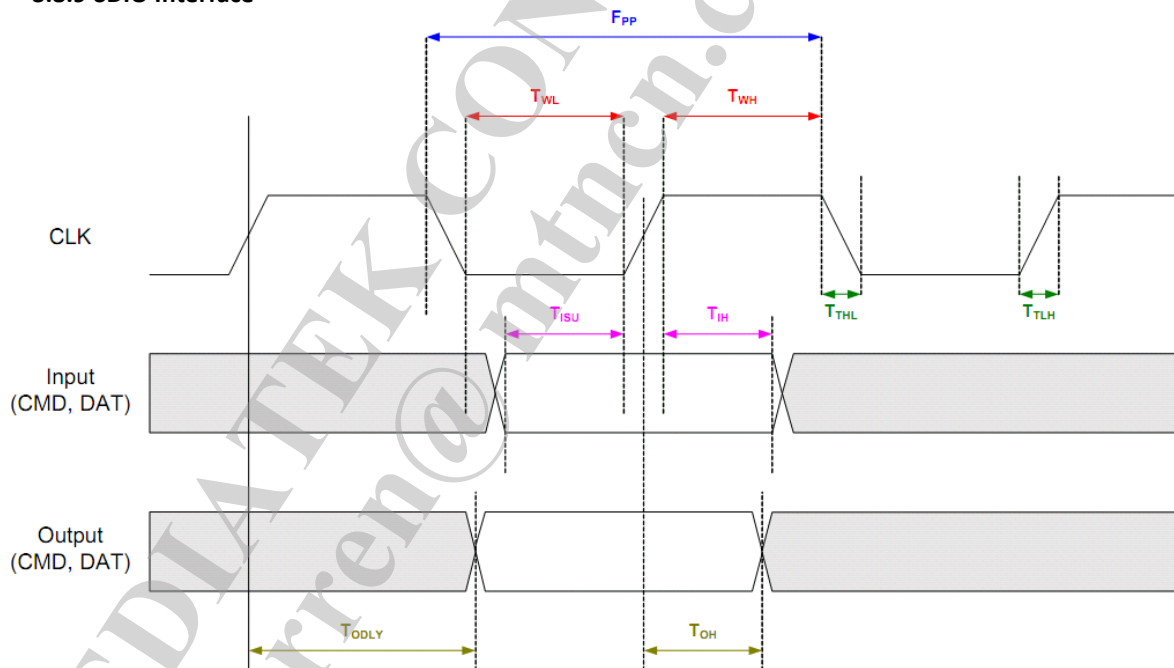
3.8.8 I2C Interface



Symbol	Description	Min	Max	Unit	Remark
fSCL	SCL clock frequency	0	100	kHz	

Symbol	Description	Min	Max	Unit	Remark
tBUF	Bus free time between a STOP and START condition	4.7		us	
tHD	Hold time (repeated) START condition. After this period, the first clock pulse is generated	4		us	
tLOW	LOW period of the SCL clock	4.7		us	
tHIGH	HIGH period of the SCL clock	4		us	
tSU:STA	Setup time for a repeated START condition	4.7		us	
Thd:DAT	Data hold time:	5		us	
tSU:DAT	Data setup time	250		ns	
tr	Rise time of both SDA and SCL signals		1000	ns	
tf	Fall time of both SDA and SCL signals		300	ns	
tSU:STO	Setup time for STOP condition	4		us	

3.8.9 SDIO Interface



Symbol	Description	Min	Max	Unit	Remark
fPP	Clock frequency data transfer mode	0	50	MHz	
tWL	Clock low	7		ns	
tWH	Clock high	7		ns	
tTLH	Clock rise		10	ns	
tTHL	Clock fall		10	ns	
tISU	Input setup	6		ns	

Symbol	Description	Min	Max	Unit	Remark
tIH	Input hold	2		ns	
tOH	Output hold	2.5		ns	
tO_DLY(max)	Output delay time	0	50	ns	

3.8.10 NAND Flash Interface (Samsung Compatibel Device)

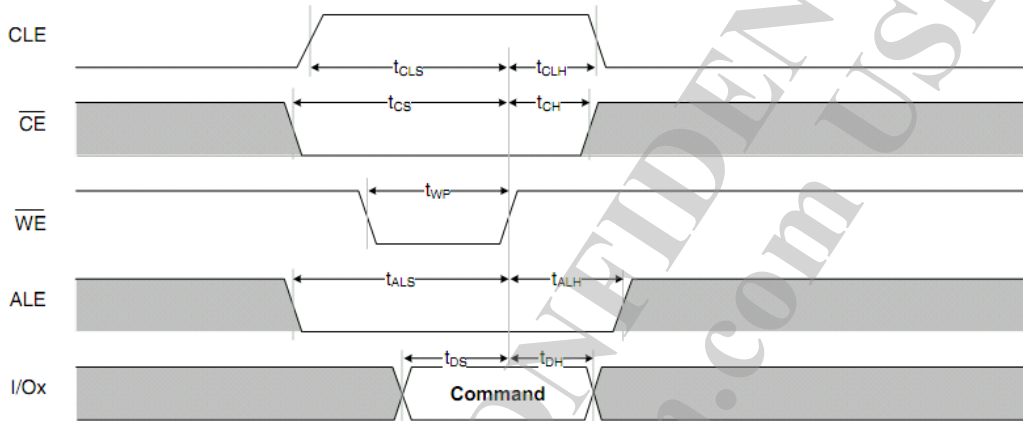


Figure 3-107 NAND Flash Command Timing

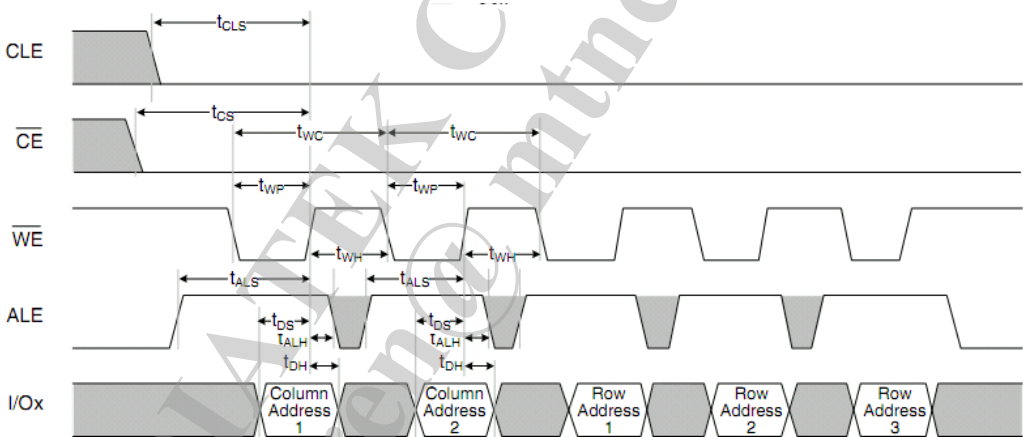


Figure 3-118 NAND Flash Address Latch Timing

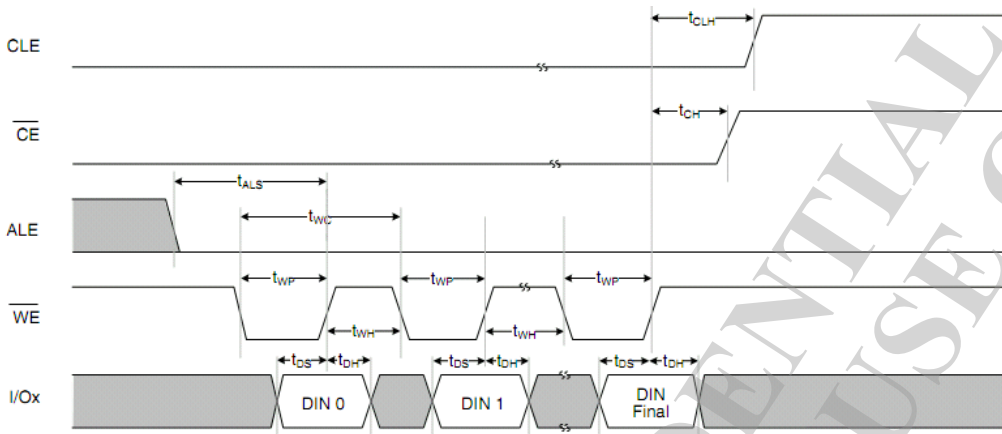


Figure 3-19 NAND Flash Write Timing

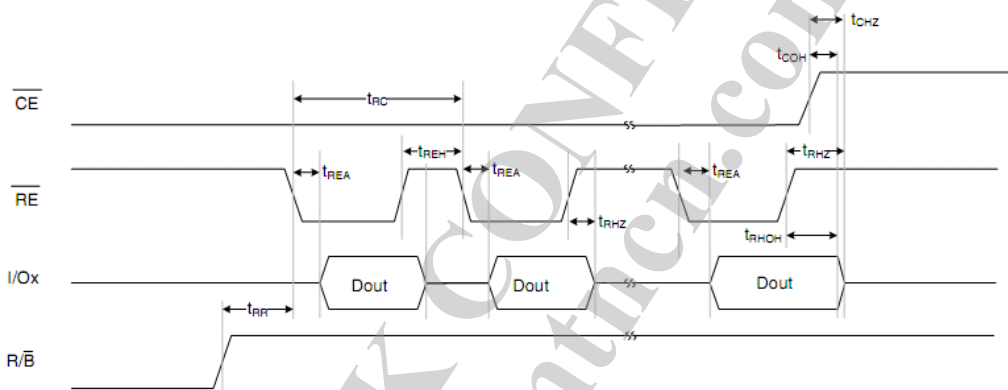


Figure 3-19 NAND Flash Read Timing

Symbol	Description	Min	Max	Unit	Remark
tCLS	CLE setup time	15	-	ns	
tCLH	CLE hold time	5		ns	
Tcs	CE setup time	20		ns	
tCH	CE hold time	5		ns	
tWP	WE pulse width	15		ns	
tALS	ALE setup time	15		ns	
tALH	ALE hold time	5		ns	
tDS	Data setup time	15		ns	
tDH	Data hold time	5		ns	
tWC	Write cycle time	30		ns	
tWH	WE high hold time	10		ns	
tRR	Ready to RE low	20		ns	
tWB	WE high to busy		100	ns	
tRC	Read cycle time	30		ns	
tREA	RE access time		20	ns	

Symbol	Description	Min	Max	Unit	Remark
tRHZ	RE high to output Hi-Z		100	ns	
tCHZ	CE high to output Hi-Z		30	ns	
tRHOH	RE high to output hold	15		ns	
tCOH	CE high to output hold	15		ns	
tREH	RE high hold time	10		ns	

3.8.11 Power On Sequence

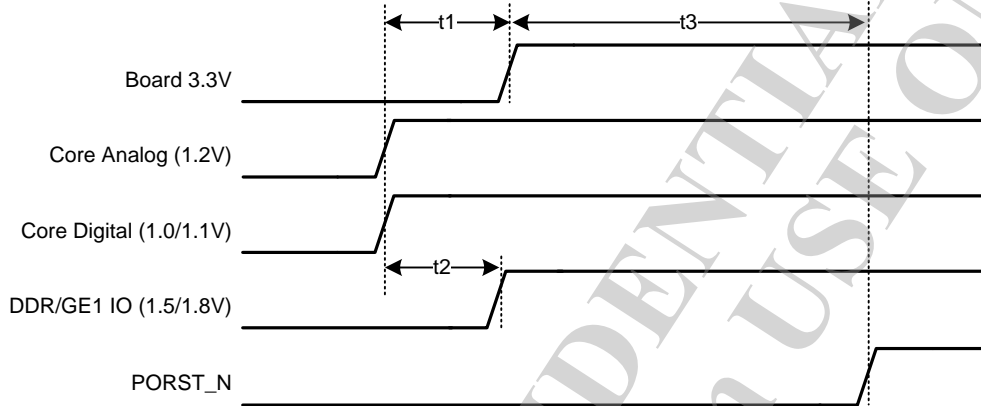


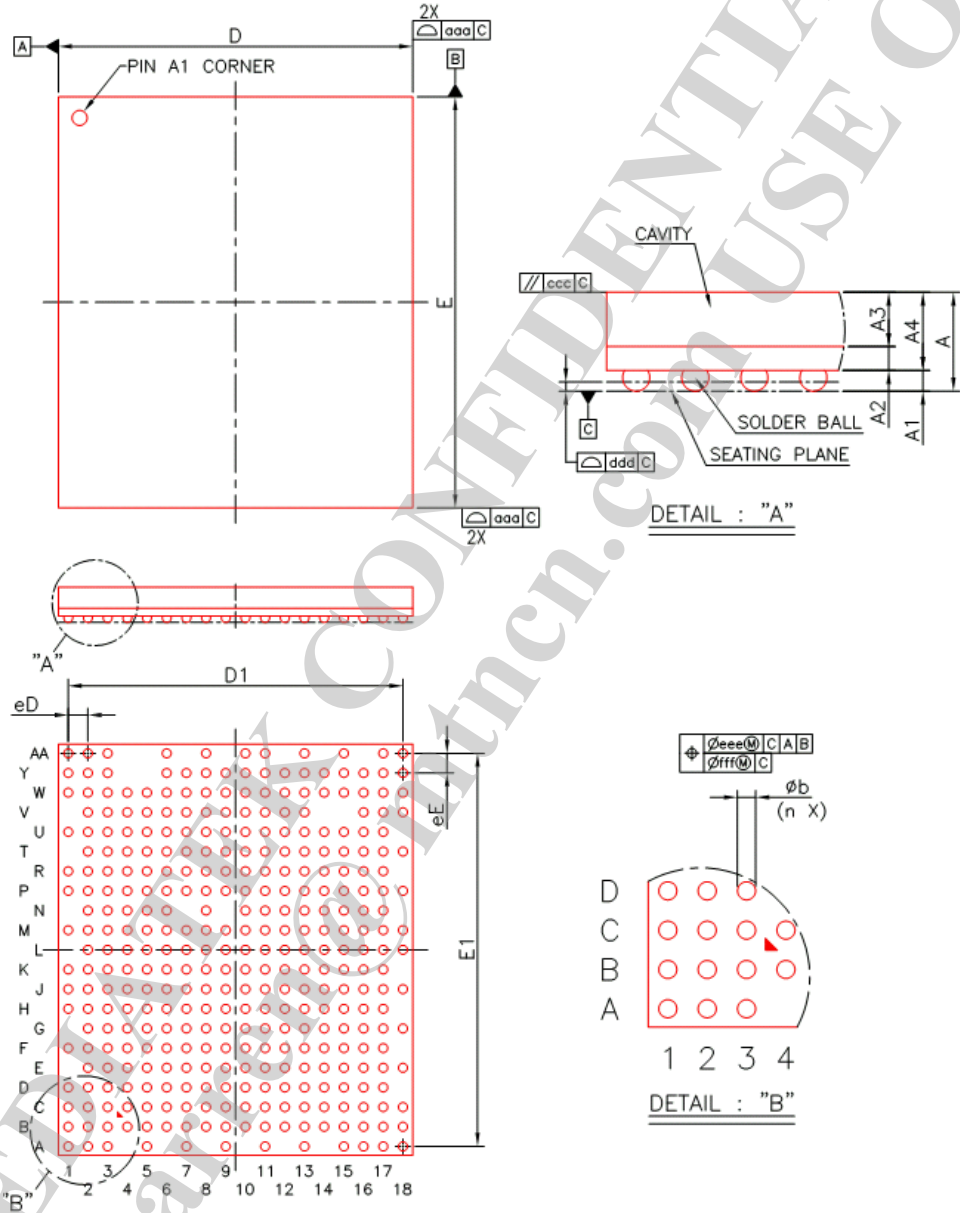
Figure 3-12 Power ON Sequence

Symbol	Description	Min	Max	Unit	Remark
t1	3.3V power on to digital core power	5		ms	
t2	1.5/1.8V power on to digitalcore power	5		ms	
t3	3.3V power on to PORST_N de-assertion	50		ms	

Table 3-14 Power ON Sequence Diagram Key

3.9 Package Physical Dimensions

3.9.1 TFBGA (11.7 mm x 13.6 mm) 387 balls



3.9.2 Package Diagram Key

Item	Symbol	Common Dimensions			
		MIN.	NOM.	MAX.	
Package Type		LFBGA			
Body Size	X	D	11.60	11.70	11.80
	Y	E	13.50	13.60	13.70
Ball Pitch	X	eD	0.65		
	Y	eE	0.65		
Total Thickness	A	-	-	1.30	
Mold Thickness	A3	0.70 Ref.			
Substrate Thickness	A2	0.26 Ref.			
Substrate+Mold Thickness	A4	0.90	0.96	1.02	
Ball Diameter		0.30			
Stand Off	A1	0.16	0.21	0.26	
Ball Width	b	0.25	0.30	0.35	
Package Edge Tolerance	aaa	0.10			
Mold Flatness	ccc	0.10			
Coplanarity	ddd	0.08			
Ball Offset (Package)	eee	0.15			
Ball Offset (Ball)	fff	0.08			
Ball Count	n	346			
Edge Ball Center to Center	X	D1	11.05		
	Y	E1	13.00		

NOTE:

1. Controlling dimensions are in millimeters.
2. Primary datum C and seating plane are defined by the spherical crowns of the solder balls.
3. Dimension b is measured at the maximum solder ball diameter, parallel to primary datum C.
4. Special characteristics C class: bbb, ddd.
5. The pattern of pin 1 fiducial is for reference only.

3.9.3 MT7621 N/A marking



YYWW: Date code
LLLLLLLLL : Lot number
“.” : Pin #1 dot

Figure 3-13 MT7621N/A top marking

3.9.4 Reflow profile guideline

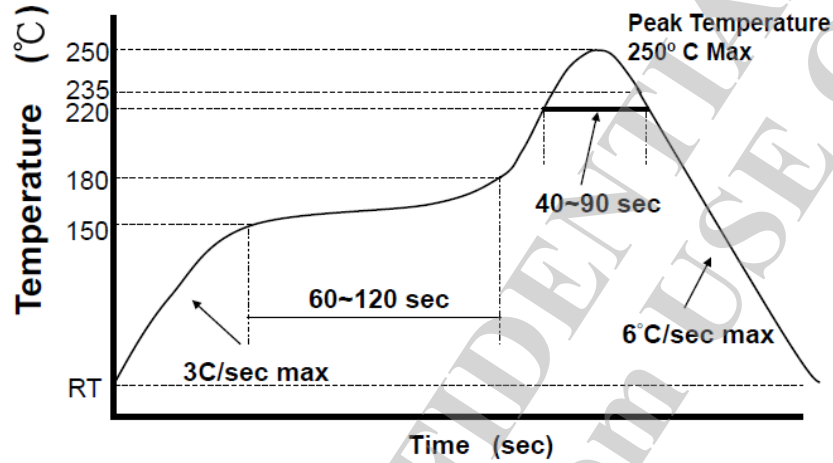


Figure 3-14 Reflow profile for MT7621

Notes;

1. Reflow profile guideline is designed for SnAgCu lead-free solder paste.
2. Reflow temperature is defined at the solder ball of package/or the lead of package.
3. MTK would recommend customer following the solder paste vendor's guideline to design a profile appropriate your line and products.
4. Appropriate N2 atmosphere is recommended since it would widen the process window and mitigate the risk for having solder open issues.

4. Abbreviations

Abbrev.	Description	Abbrev.	Description
AC	Access Category	CLK	Clock
ACK	Acknowledge/ Acknowledgement	CPU	Central Processing Unit
ACPR	Adjacent Channel Power Ratio	CRC	Cyclic Redundancy Check
AD/DA	Analog to Digital/Digital to Analog converter	CSR	Control Status Register
ADC	Analog-to-Digital Converter	CTS	Clear to Send
AES	Advanced Encryption Standard	CW	Contention Window
AGC	Auto Gain Control	CWmax	Maximum Contention Window
AIFS	Arbitration Inter-Frame Space	CWmin	Minimum Contention Window
AIFSN	Arbitration Inter-Frame Spacing Number	DAC	Digital-To-Analog Converter
ALC	Asynchronous Layered Coding	DCF	Distributed Coordination Function
A-MPDU	Aggregate MAC Protocol Data Unit	DDONE	DMA Done
A-MSDU	Aggregation of MAC Service Data Units	DDR	Double Data Rate
AP	Access Point	DFT	Discrete Fourier Transform
ASIC	Application-Specific Integrated Circuit	DIFS	DCF Inter-Frame Space
ASME	American Society of Mechanical Engineers	DMA	Direct Memory Access
ASYNC	Asynchronous	DSP	Digital Signal Processor
BA	Block Acknowledgement	DW	DWORD
BAC	Block Acknowledgement Control	EAP	Expert Antenna Processor
BAR	Base Address Register	EDCA	Enhanced Distributed Channel Access
BBP	Baseband Processor	EECS	EEPROM chip select
BGSEL	Band Gap Select	EEDI	EEPROM data input
BIST	Built-In Self-Test	EEDO	EEPROM data output
BSC	Basic Spacing between Centers	EEPROM	Electrically Erasable Programmable Read-Only Memory
BJT		eFUSE	electrical Fuse
BSSID	Basic Service Set Identifier	EESK	EEPROM source clock
BW	Bandwidth	EIFS	Extended Inter-Frame Space
CCA	Clear Channel Assessment	EIV	Extend Initialization Vector
CCK	Complementary Code Keying	EVM	Error Vector Magnitude
CCMP	Counter Mode with Cipher Block Chaining Message Authentication Code Protocol	FDS	Frequency Domain Spreading
CCX	Cisco Compatible Extensions	FEM	Front-End Module
CF-END	Control Frame End	FEQ	Frequency Equalization
CF-ACK	Control Frame Acknowledgement	FIFO	First In First Out
		FSM	Finite-State Machine
		GF	Green Field
		GND	Ground
		GP	General Purpose

Abbrev.	Description
GPO	General Purpose Output
GPIO	General Purpose Input/Output
HCCA	HCF Controlled Channel Access
HCF	Hybrid Coordination Function
HT	High Throughput
HTC	High Throughput Control
ICV	Integrity Check Value
IFS	Inter-Frame Space
iNIC	Intelligent Network Interface Card
IV	Initialization Vector
I ² C	Inter-Integrated Circuit
I ² S	Integrated Inter-Chip Sound
I/O	Input/Output
IPI	Idle Power Indicator
IQ	In phase/Quadrature phase
JEDEC	Joint Electron Devices Engineering Council
JTAG	Joint Test Action Group
kbps	kilo (1000) bits per second
KB	Kilo (1024) Bytes
LDO	Low-Dropout Regulator
LDODIG	LDO for DIGital part output voltage
LED	Light-Emitting Diode
LNA	Low Noise Amplifier
LO	Local Oscillator
L-SIG	Legacy Signal Field
MAC	Medium Access Control
MCU	Microcontroller Unit
MCS	Modulation and Coding Scheme
MDC	Management Data Clock
MDIO	Management Data Input/Output
MEM	Memory
MFB	MCS Feedback
MFS	MFB Sequence
MIC	Message Integrity Code
MIMO	Multiple-Input Multiple-Output
MLNA	Monolithic Low Noise Amplifier
MM	Mixed Mode

Abbrev.	Description
MOSFET	Metal Oxide Semiconductor Field Effect Transistor
MPDU	MAC Protocol Data Units
MSB	Most Significant Bit
NAV	Network Allocation Vector
NAS	Network-Attached Server
NAT	Network Address Translation
NDP	Null Data Packet
NVM	Non-Volatile Memory
ODT	On-die Termination
Oen	Output Enable
OFDM	Orthogonal Frequency-Division Multiplexing
OSC	Open Sound Control
PA	Power Amplifier
PAPE	Provider Authentication Policy Extension
PBC	Push Button Configuration
PBF	Packet Buffer
PCB	Printed Circuit Board
PCF	Point Coordination Function
PCM	Pulse-Code Modulation
PHY	Physical Layer
PIFS	PCF Interframe Space
PLCP	Physical Layer Convergence Protocol
PLL	Phase-Locked Loop
PME	Physical Medium Entities
PMU	Power Management Unit
PN	Packet Number
PROM	Programmable Read-Only Memory
PSDU	Physical layer Service Data Unit
PSI	Power supply Strength Indication
PSM	Power Save Mode
PTN	Packet Transport Network
QoS	Quality of Service
RDG	Reverse Direction Grant
RAM	Random Access Memory
RF	Radio Frequency
RGMI	Reduced Gigabit Media Independent Interface

Abbrev.	Description
RH	Relative Humidity
RoHS	Restriction on Hazardous Substances
ROM	Read-Only Memory
RSSI	Received Signal Strength Indication (Indicator)
RTS	Request to Send
RvMII	Reverse Media Independent Interface
Rx	Receive
RXD	Received Data
RXINFO	Receive Information
RXWI	Receive Wireless Information
S	Stream
SDXC	Secure Digital eXtended Capacity
SDIO	Secure Digital Input Output
SDRAM	Synchronous Dynamic Random Access Memory
SEC	Security
SGI	Short Guard Interval
SIFS	Short Inter-Frame Space
SoC	System-on-a-Chip
SPI	Serial Peripheral Interface
SRAM	Static Random Access Memory
SSCG	Spread Spectrum Clock Generator
STBC	Space-Time Block Code
SW	Switch Regulator
TA	Transmitter Address
TBTT	Target Beacon Transmission Time
TDLS	Tunnel Direct Link Setup

Abbrev.	Description
TKIP	Temporal Key Integrity Protocol
TRSW	Tx/Rx Switch
TSF	Timing Synchronization Function
TSSI	Transmit Signal Strength Indication
Tx	Transmit
TxBF	Transmit Beamforming
TXD	Transmitted Data
TXDAC	Transmit Digital-Analog Converter
TXINFO	Transmit Information
TXOP	Opportunity to Transmit
TXWI	Tx Wireless Information
UART	Universal Asynchronous Rx/ Tx
USB	Universal Serial Bus
UTIF	Universal Test Interface
VGA	Variable Gain Amplifier
VCO	Voltage Controlled Amplifier
VIH	High Level Input Voltage
VIL	Low Level Input Voltage
VoIP	Voice over IP
WCID	Wireless Client Identification
WEP	Wired Equivalent
WI	Wireless Information
WIV	Wireless Information Valid
WMM	Wi-Fi Multimedia
WPA	Wi-Fi Protected Access
WPDMA	Wireless Polarization Division Multiple Access
WS	Word Select

5. Revision History

Rev	Date	Description
0.0	2013/4/29	Initial Release
0.1	2013/5/7	Add package information
0.2	2013/6/15	Modify the power on sequence timing data

This product is not designed for use in medical and/or life support applications. Do not use this product in these types of equipment or applications. This document is subject to change without notice and Ralink assumes no responsibility for any inaccuracies that may be contained in this document. Ralink reserves the right to make changes in its products to improve function, performance, reliability, and to attempt to supply the best product possible.