

RB750Gr3 - Estructura

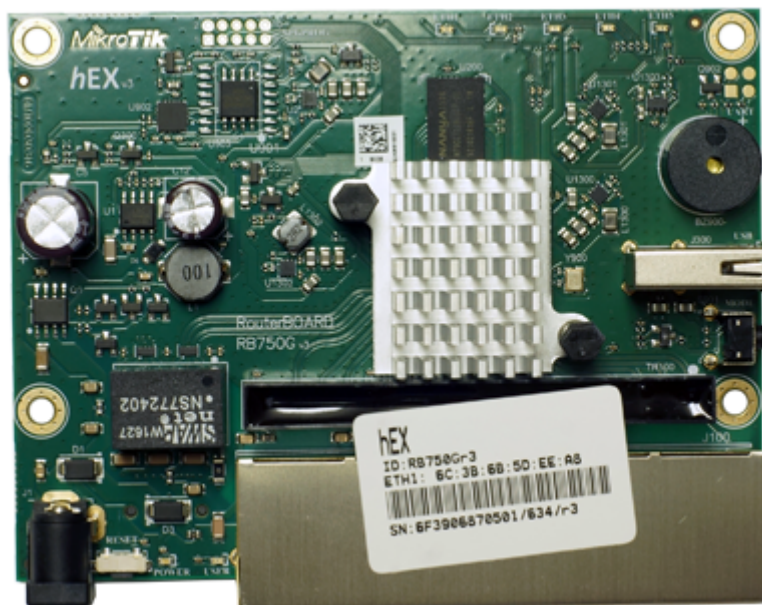
Pulsador MODE

¿Para qué es ese pulsador lateral MODE?

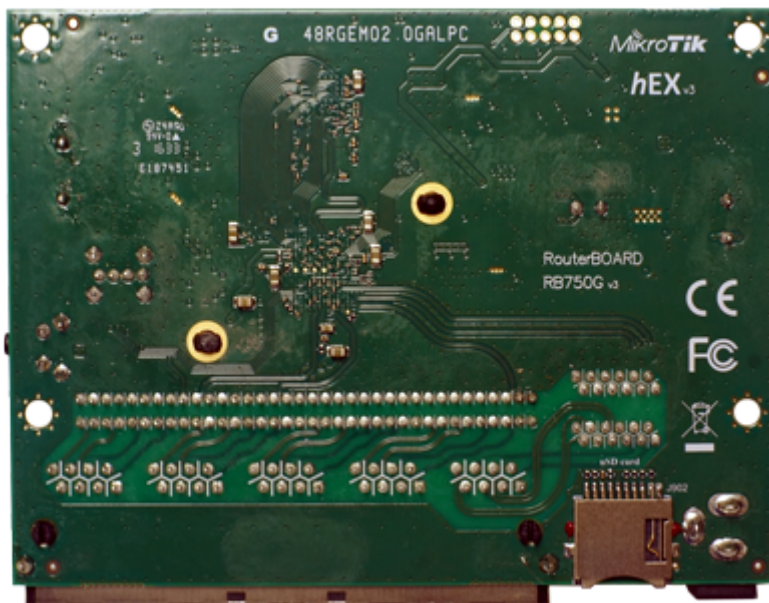


I was wondering the same thing and checked with Mikrotik support. "RB750Gr3 Mode button currently does nothing, it is added for future use. There is no specific functionality decided yet."

Placa base



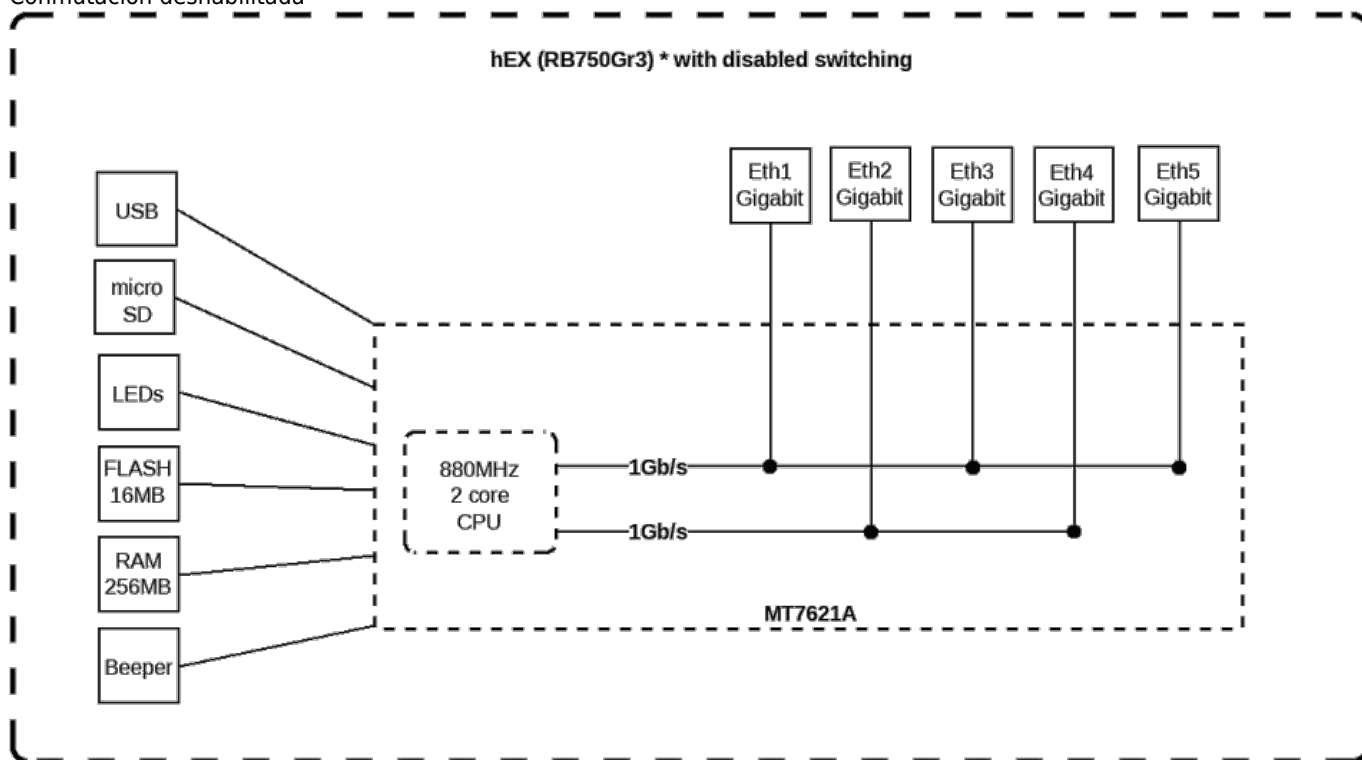
Vista ampliada



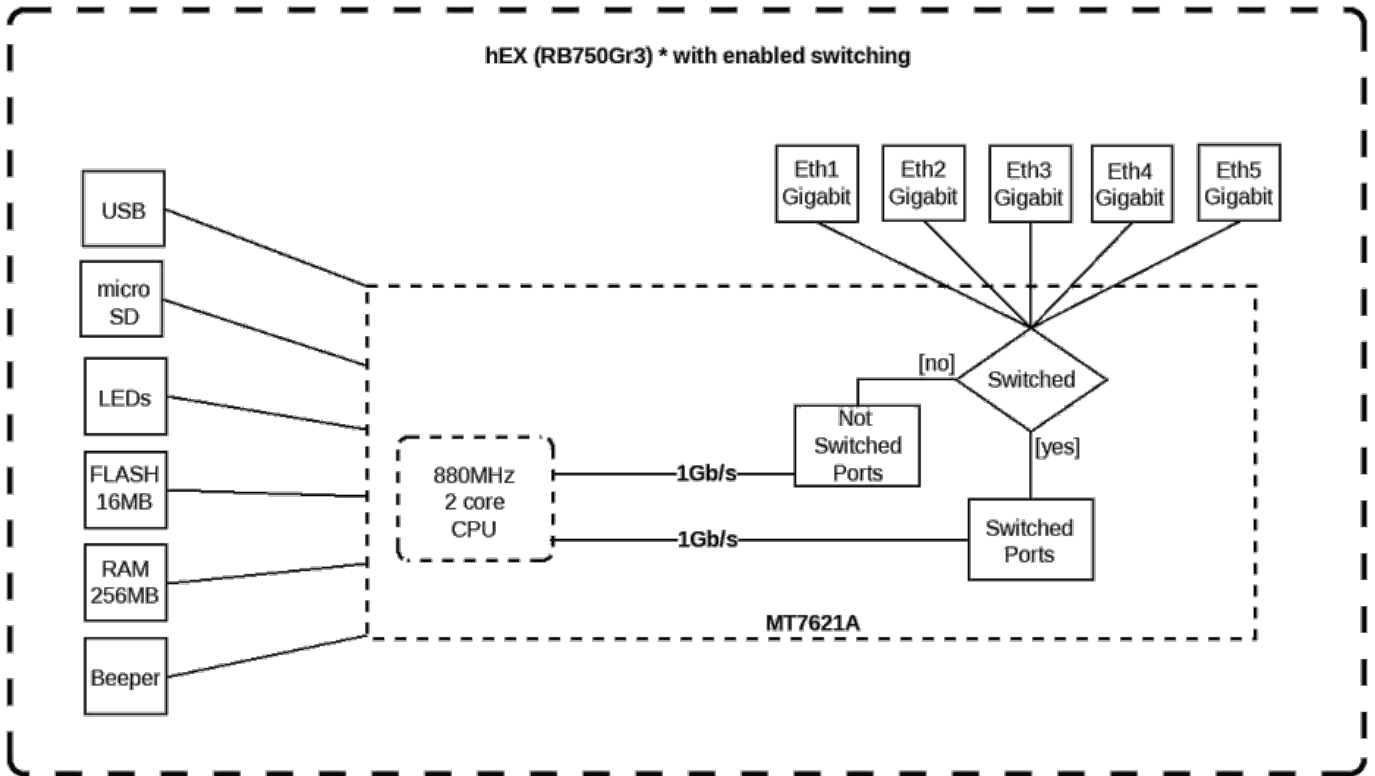
Vista ampliada

Diagrama de Bloques

Conmutación deshabilitada



Conmutación habilitada



From:
<https://euloxio.myds.me/dokuwiki/> - Euloxio wiki

Permanent link:
<https://euloxio.myds.me/dokuwiki/doku.php/doc:tec:net:router:ros:rb750gr3:bloques>

Last update: 2025/04/16 05:24

