

# RB750Gr3 - Estructura

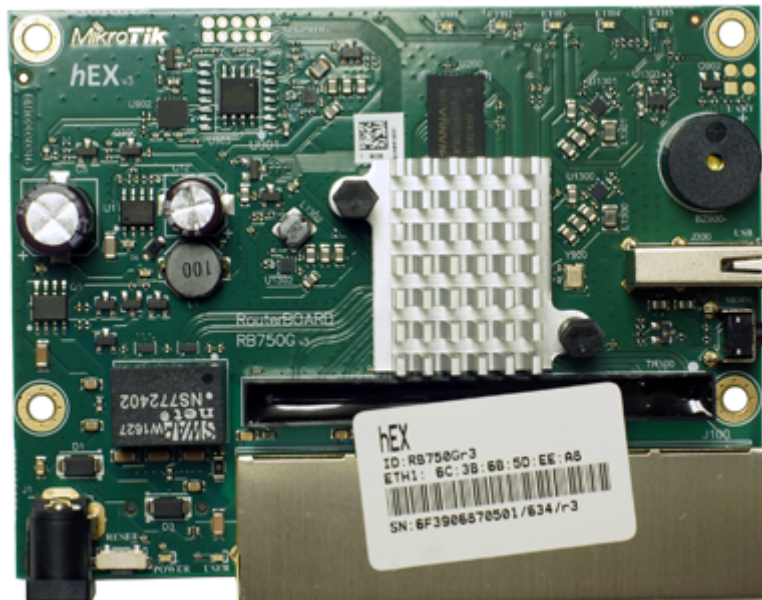
## Pulsador MODE

¿Para qué es ese pulsador lateral MODE?

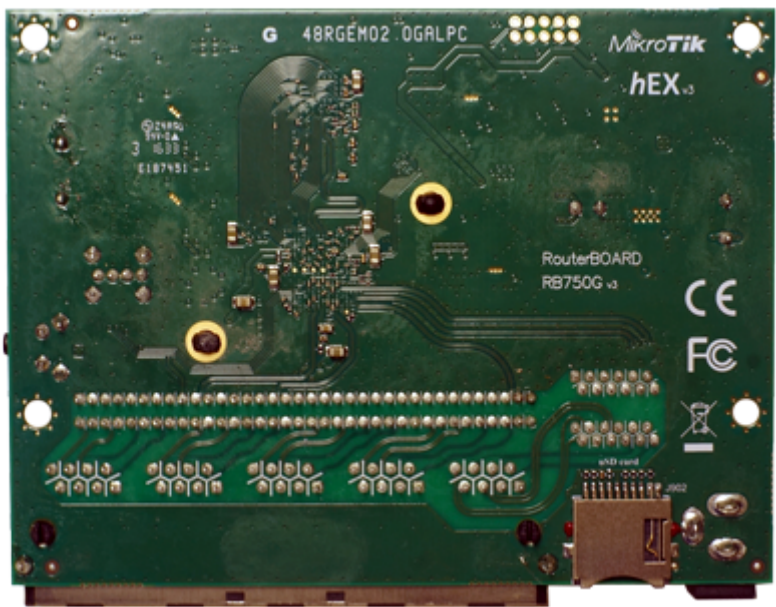


I was wondering the same thing and checked with MikroTik support. "RB750Gr3 Mode button currently does nothing, it is added for future use. There is no specific functionality decided yet."

## Placa base



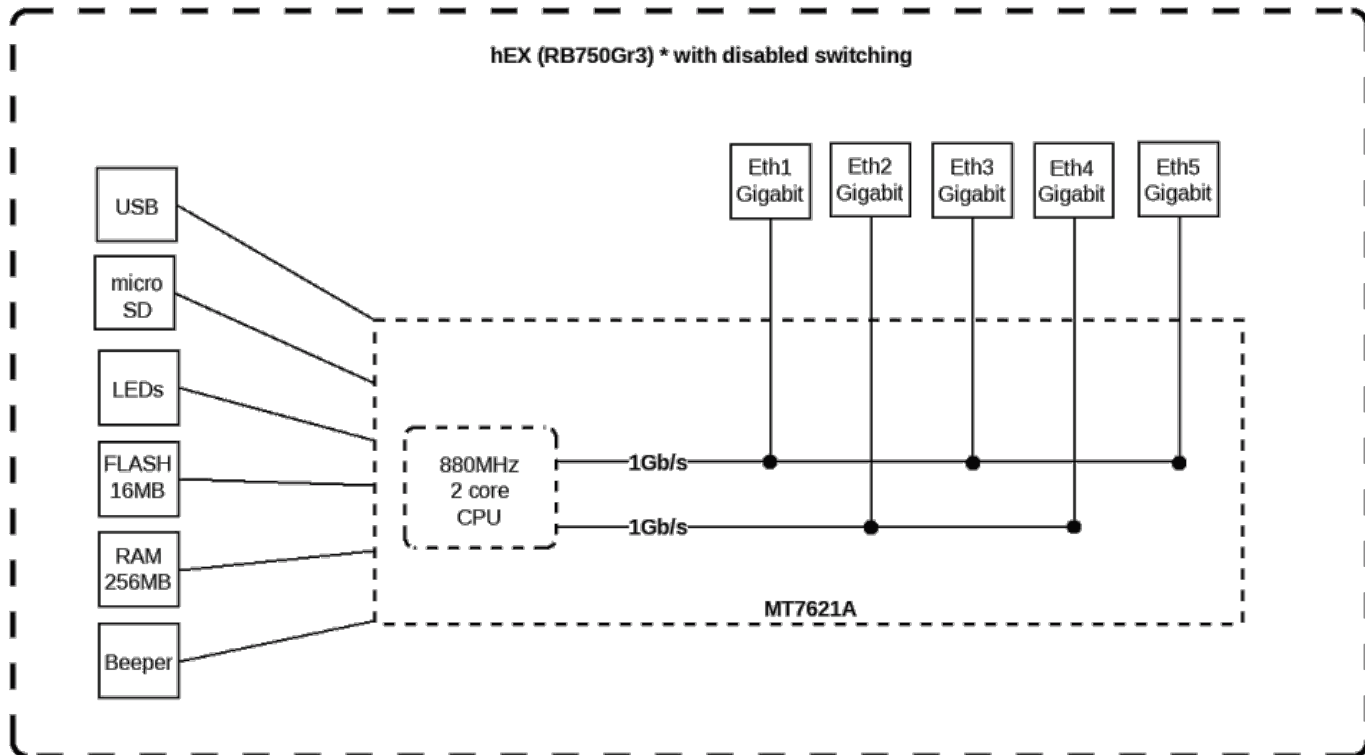
Vista ampliada



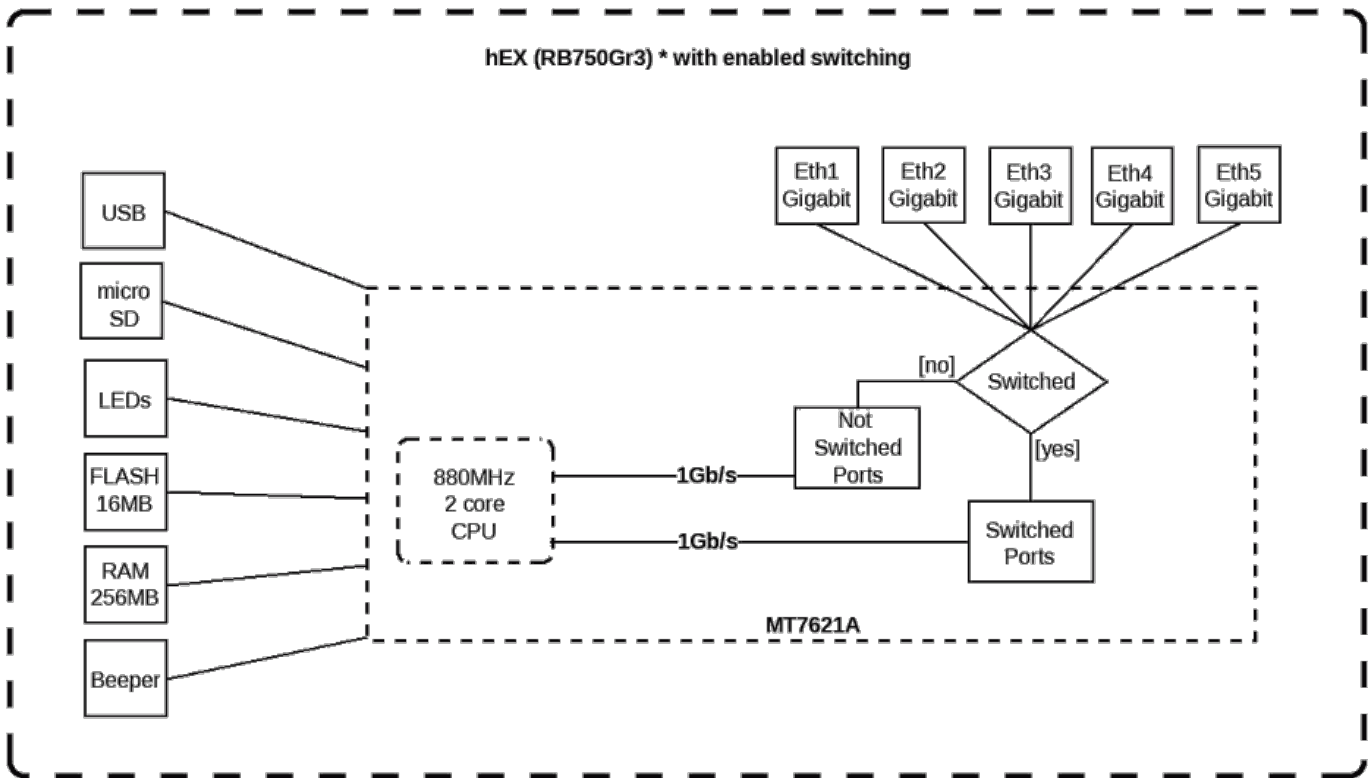
Vista ampliada

## Diagrama de Bloques

Conmutación deshabilitada



Conmutación habilitada



From: <https://euloxio.myds.me/dokuwiki/> - Euloxio wiki

Permanent link: [https://euloxio.myds.me/dokuwiki/doku.php/doc:tec:net:router:tik\\_rb750gr3:bloques](https://euloxio.myds.me/dokuwiki/doku.php/doc:tec:net:router:tik_rb750gr3:bloques)

Last update: 2021/12/25 03:00

